



# 重庆通达兴宇科技有限公司

ChongQing Tongda Xingyu Technology Co., Ltd.

为工业自动化控制提供更值得信赖的产品

专业服务让客户舒心 产品质量让客户放心 优质售后让客户安心



📍 总部地址：重庆市九龙坡区华岩镇龙渡路93号附8号4-3号

☎ 电话：18930107764

🌐 网址：<http://www.cqtdxy.com>

✉ 邮箱：44673234@qq.com



# 产品手册

# 2024 PRODUCT MANUAL

自|主|研|发 稳|定|可|靠  
SELF-DEVELOPED STABLE AND RELIABLE

# 公司介绍

# HONOEABLE MENTION

重庆通达兴宇科技有限公司专业从事力学传感技术的研发、生产、销售及售后为一体的高新技术企业。公司具备从业多年的专业技术团队，并引进先进技术及设备；致力于工业控制产品研发生产。

我公司拥有先进生产检测设备、资深的专业技术工程师、完善的售后服务团队为客户提供一站式工业控制解决方案。

## 我们的宗旨：

专业进取、务实创新；为工业自动化控制提供更值得信赖的产品。

## 我们的理念：

秉承合作团结、交流发展、共赢互利的理念；诚信经营，实事求是，以百分百的热情及过硬的技术为广大客户提供更优质，更舒心的服务。



## 一流技术团队

### Tand authentication

一流的技术团队，给您高品质高质量的产品，给您一个不同的供应商



## 多年生产经验

### Production experience

我们多年的生产经验，带给您最好的产品和最好的服务，让您用的放心



## 国际品牌认证

### Rand authentication

一系列突破性的创新给了我们公司和产品当之无愧的全球声誉

# 目录

# CONTENTS

	<b>动态扭矩传感器</b> Dynamic Torque sensor	<b>01~09</b>
	<b>静态扭矩传感器</b> Static Torque sensor	<b>10~18</b>
	<b>拉压力传感器</b> Tension pressure sensor	<b>19~25</b>
	<b>圆形测力传感器</b> Circular force sensor	<b>26~28</b>
	<b>轮辐式传感器</b> Spoke sensor	<b>29~30</b>
	<b>非标定制传感器</b> Uncalibrated custom sensor	<b>31~32</b>
	<b>显示控制器、信号变送器</b> Display controller, signal transmitter	<b>33~37</b>



# 型号: YG2000A

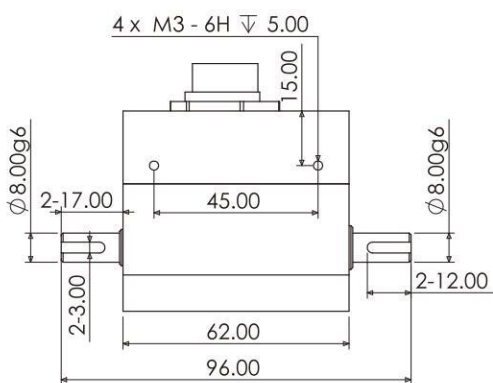


## 特点 Characteristics

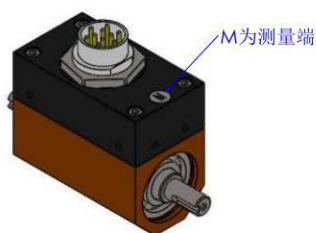
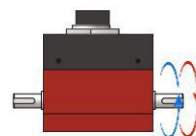
- 线圈电磁耦合，实现电源与测量信号无线传输，10针航空插头，集扭矩信号频率信号，模拟量信号，转速信号，RS485数字信号整体输出。进口轴承，寿命较长，极限转速较高，耐负荷较高，摩擦力更小。一体成型外壳，更高的硬度，更小的变形，更稳定的性能，更长的寿命。
- Electromagnetic coupling coil to achieve power and measurement signal wireless transmission, 10-pin aviation plug, set torque signal frequency signal, analog signal, speed signal, RS485 digital signal output. Imported bearings, longer life, higher limit speed, higher load resistance, less friction. One-piece shell, higher hardness, less deformation, more stable performance, longer life.

动态扭矩

## 安装尺寸 Mounting dimensions



## ■ 受力方式/Force mode



## 技术参数 Technical parameter

量程 (Measuring range)	0.1/0.2/0.5/1/2/5 NM	运行温度 (Operating Temperature)	-20~80°C
转速范围 (Speed Range)	≤8000转/分钟	零点温度漂移 (Temp.effect on zero)	0.15%F.S./10 C
扭矩信号 (Torque signal)	RS485/±10V/±5V/0-10V/0-5V/5-15KHz	温度灵敏度漂移 (Temp.effect on output)	0.15%F.S./10 C
转速信号 (Speed signal)	RS485/60脉冲信号	供电电源 (Power supply)	24VDC±15%
精度 (Precision)	±0.2%F.S	材质 (Material Quality)	外壳: 铝; 轴芯: 17-4
过载能力 (Overload capacity)	150%	电缆线尺寸 (Cable size)	Φ6×3000mm
响应频率 (Frequency response)	1ms		

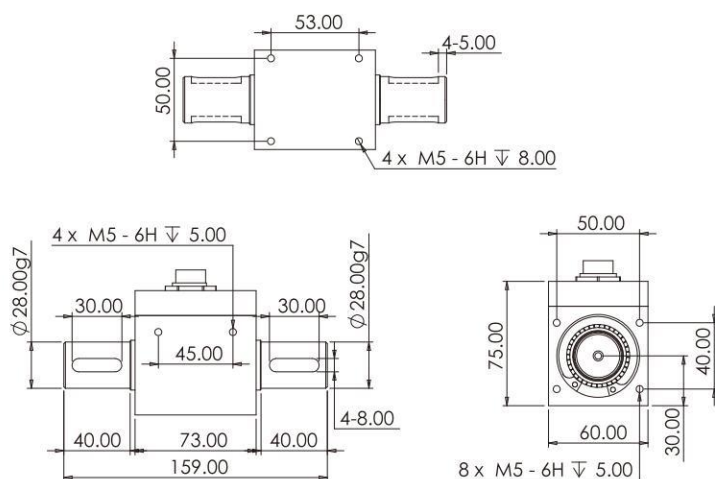
## 型号: YG2001



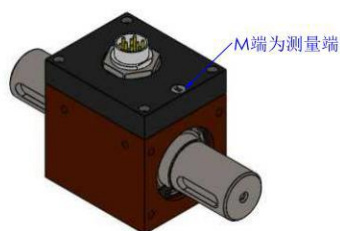
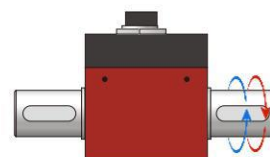
## 特点 Characteristics

- 线圈电磁耦合，实现电源与测量信号无线传输。10针航空插头，集扭矩信号频率信号，模拟量信号，转速信号，RS485数字信号整体输出。进口轴承，寿命较长，极限转速较高，耐负荷较高，摩擦力更小。产品尺寸小易于安装，超大量程既可以测扭矩，又可以测转速。
- The electromagnetic coupling of the coil realizes the wireless transmission of the power supply and the measuring signal. 10-pin aviation plug, set torque signal frequency signal, analog signal, speed signal, RS485 digital signal output. Imported bearings, longer life, higher limit speed, higher load resistance, less friction. Product size is small and easy to install, large range can be measured torque, but also can be measured speed.

## 安装尺寸 Mounting dimensions



## ■ 受力方式/Force mode



## 技术参数 Technical parameter

量程 (Measuring range)	200/500 NM	运行温度 (Operating Temperature)	-20~80°C
转速范围 (Speed Range)	≤8000转/分钟	零点温度漂移 (Temp. effect on zero)	0.15%F.S./10 C
扭矩信号 (Torque signal)	RS485/±10V/±5V/0-10V/0-5V/5-15KHz	温度灵敏度漂移 (Temp. effect on output)	0.15%F.S./10 C
转速信号 (Speed signal)	RS485/60脉冲信号	供电电源 (Power supply)	24VDC±15%
精度 (Precision)	±0.2%F.S	材质 (Material Quality)	外壳: 铝; 轴芯: 17-4
过载能力 (Overload capacity)	150%	电缆线尺寸 (Cable size)	Φ6×3000mm
响应频率 (Frequency response)	1ms		

# 型号: YG2100

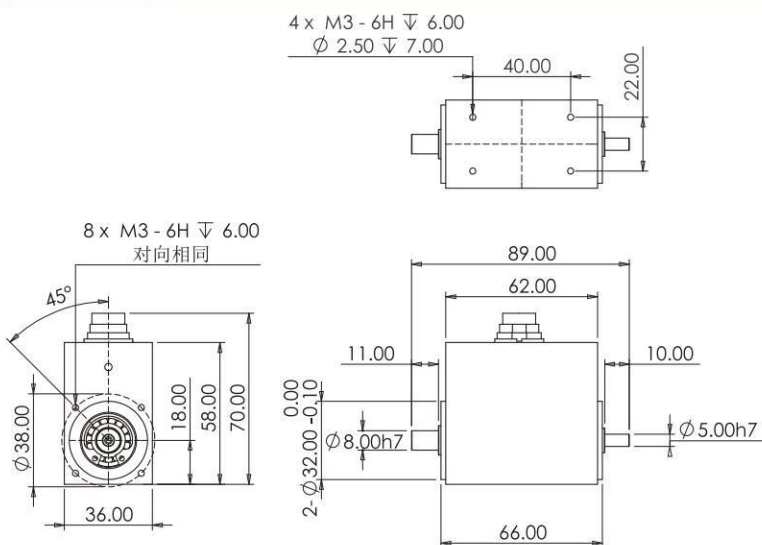


## 特点 Characteristics

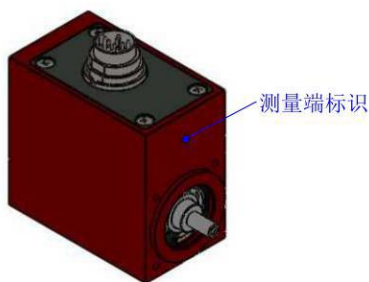
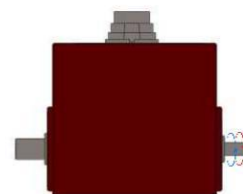
- 线圈电磁耦合，实现电源与测量信号无线传输，12芯一体注塑航空插头，集扭矩信号频率信号，模拟量信号，转速信号，RS485数字信号整体输出。进口轴承，寿命较长，极限转速较高，耐负荷较高，摩擦力更小。一体成型外壳，更高的硬度，更小的变形，采用车规级芯片精度性能更高、稳定性更可靠。
- Electromagnetic coupling coil to achieve power and measurement signal wireless transmission, 10-pin aviation plug, set torque signal frequency signal, analog signal, speed signal, RS485 digital signal output. Imported bearings, longer life, higher limit speed, higher load resistance, less friction. One-piece shell, higher hardness, less deformation, more stable performance, longer life.

动态扭矩

## 安装尺寸 Mounting dimensions



## ■ 受力方式/Force mode



## 技术参数 Technical parameter

量程 (Measuring range)	0.01/0.02/0.05/0.1/0.2/0.5N.M		
转速范围 (Speed Range)	≤12000转/分钟	运行温度 (Operating Temperature)	-20~80°C
扭矩信号 (Torque signal)	RS485/±10V/±5V/0-10V/0-5V/5-15KHz	零点温度漂移 (Temp.effect on zero)	0.15%F.S./10 C
转速信号 (Speed signal)	RS485/60脉冲信号	温度灵敏度漂移 (Temp.effect on output)	0.15%F.S./10 C
精度 (Precision)	±0.1/0.2%F.S	供电电源 (Power supply)	24VDC±15%
过载能力 (Overload capacity)	150%	材质 (Material Quality)	外壳: 铝; 轴芯: 7075/17-4
响应频率 (Frequency response)	1ms	电缆线尺寸 (Cable size)	Φ6×3000mm

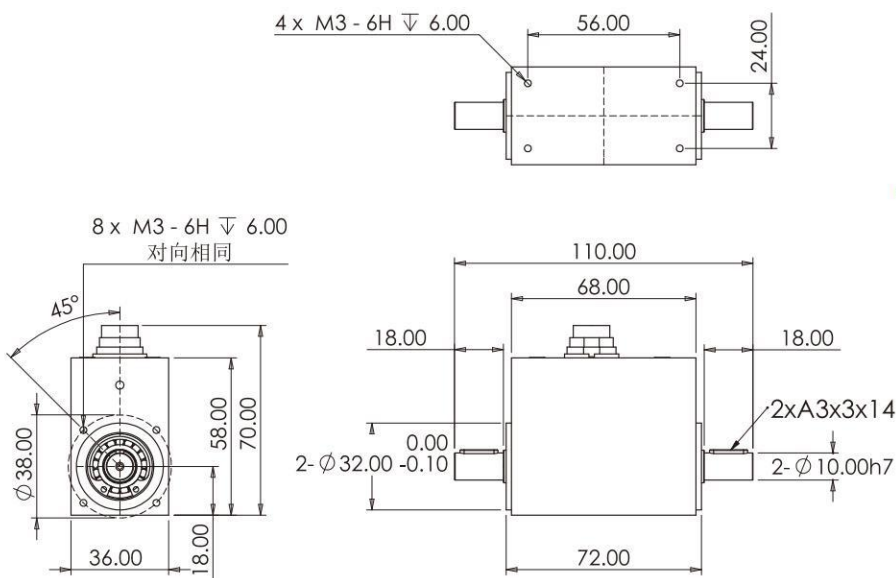
# 型号: YG2101



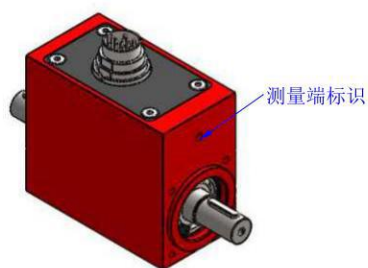
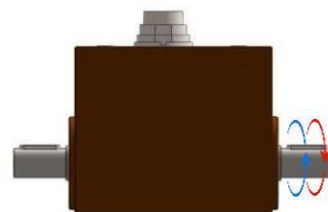
## 特点 Characteristics

- 线圈电磁耦合，实现电源与测量信号无线传输，12芯一体注塑航空插头，集扭矩信号频率信号，模拟量信号，转速信号，RS485数字信号整体输出。进口轴承，寿命较长，极限转速较高，耐负荷较高，摩擦力更小。一体成型外壳，更高的硬度，更小的变形，采用车规级芯片精度性能更高、稳定性更可靠。
- Electromagnetic coupling coil to achieve power and measurement signal wireless transmission, 10-pin aviation plug, set torque signal frequency signal, analog signal, speed signal, RS485 digital signal overall output. Imported bearings, longer life, higher limit speed, higher load resistance, less friction. One-piece shell, higher hardness, less deformation, more stable performance, longer life.

## 安装尺寸 Mounting dimensions



## ■ 受力方式/Force mode



## 技术参数 Technical parameter

量程 (Measuring range)	1/2/5/10N.M	运行温度 (Operating Temperature)	-20~80°C
转速范围 (Speed Range)	≤12000转/分钟	零点温度漂移 (Temp.effect on zero)	0.15%F.S./10 C
扭矩信号 (Torque signal)	RS485/±10V/±5V/0-10V/0-5V/5-15KHz	温度灵敏度漂移 (Temp.effect on output)	0.15%F.S./10 C
转速信号 (Speed signal)	RS485/60脉冲信号	供电电源 (Power supply)	24VDC±15%
精度 (Precision)	±0.1/0.2%F.S	材质 (Material Quality)	外壳: 铝; 轴芯: 17-4
过载能力 (Overload capacity)	150%	电缆线尺寸 (Cable size)	∅6×3000mm
响应频率 (Frequency response)	1ms		

# 型号: YG2102

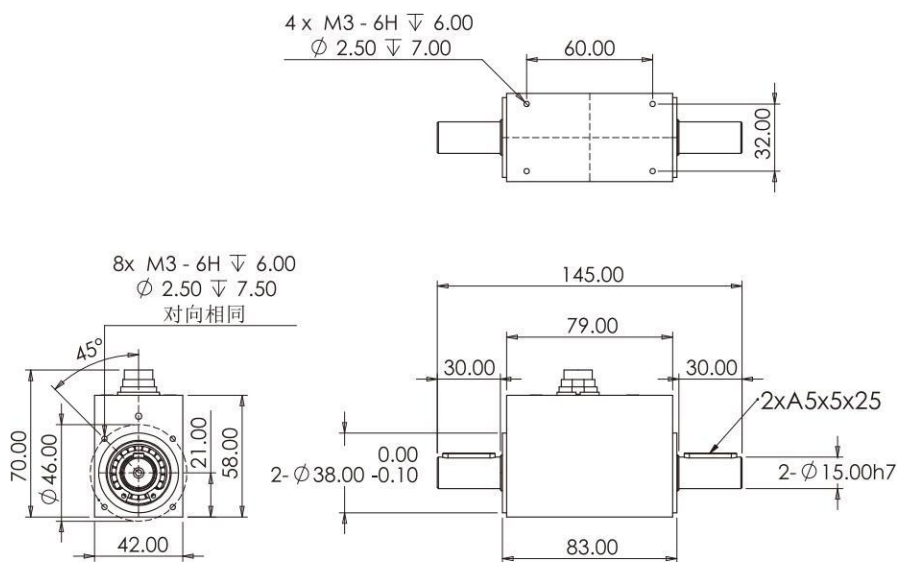


## 特点 Characteristics

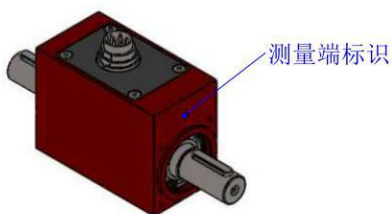
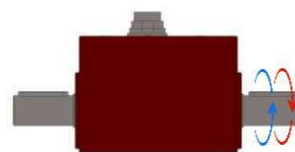
- 线圈电磁耦合，实现电源与测量信号无线传输，12芯一体注塑航空插头，集扭矩信号频率信号，模拟量信号，转速信号，RS485数字信号整体输出。进口轴承，寿命较长，极限转速较高，耐负荷较高，摩擦力更小。一体成型外壳，更高的硬度，更小的变形，采用车规级芯片精度性能更高、稳定性更可靠。
- Electromagnetic coupling coil to achieve power and measurement signal wireless transmission, 12-pin aviation plug, set torque signal frequency signal, analog signal, speed signal, RS485 digital signal output. Imported bearings, longer life, higher limit speed, higher load resistance, less friction. One-piece shell, higher hardness, less deformation, more stable performance, longer life.

动态扭矩

## 安装尺寸 Mounting dimensions



## 受力方式/Force mode



## 技术参数 Technical parameter

量程 (Measuring range)	5/10/20/30/50N.M	运行温度 (Operating Temperature)	-20~80°C
转速范围 (Speed Range)	≤12000转/分钟	零点温度漂移 (Temp.effect on zero)	0.15%F.S./10 C
扭矩信号 (Torque signal)	RS485/±10V/±5V/0-10V/0-5V/5-15KHz	温度灵敏度漂移 (Temp.effect on output)	0.15%F.S./10 C
转速信号 (Speed signal)	RS485/60脉冲信号	供电电源 (Power supply)	24VDC±15%
精度 (Precision)	±0.1/0.2%F.S	材质 (Material Quality)	外壳: 铝; 轴芯: 17-4
过载能力 (Overload capacity)	150%	电缆线尺寸 (Cable size)	φ6×3000mm
响应频率 (Frequency response)	1ms		

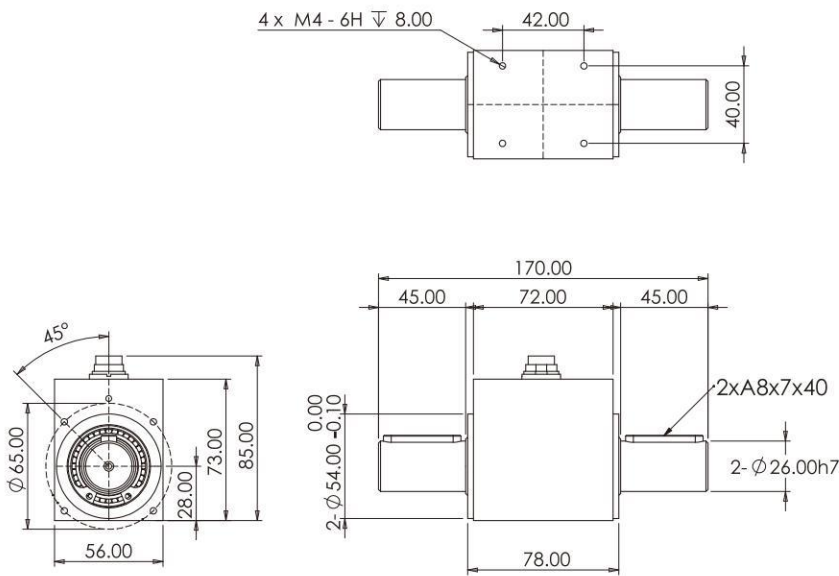
## 型号: YG2103



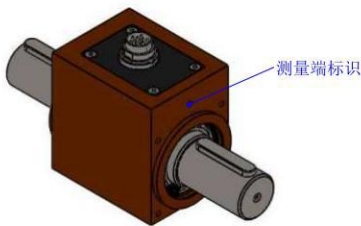
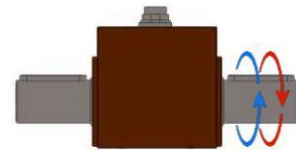
### 特点 Characteristics

- 线圈电磁耦合，实现电源与测量信号无线传输，12芯一体注塑航空插头，集扭矩信号频率信号，模拟量信号，转速信号，RS485数字信号整体输出。进口轴承，寿命较长，极限转速较高，耐负荷较高，摩擦力更小。一体成型外壳，更高的硬度，更小的变形，采用车规级芯片精度性能更高、稳定性更可靠。
- Electromagnetic coupling coil to achieve power and measurement signal wireless transmission, 10-pin aviation plug, set torque signal frequency signal, analog signal, speed signal, RS485 digital signal output. Imported bearings, longer life, higher limit speed, higher load resistance, less friction. One-piece shell, higher hardness, less deformation, more stable performance, longer life.

### 安装尺寸 Mounting dimensions



### 受力方式/Force mode



### 技术参数 Technical parameter

量程 (Measuring range)	50/100/150/200/300N.M	运行温度 (Operating Temperature)	-20~80°C
转速范围 (Speed Range)	≤12000转/分钟	零点温度漂移 (Temp.effect on zero)	0.15%F.S./10 C
扭矩信号 (Torque signal)	RS485/±10V/±5V/0-10V/0-5V/5-15KHz	温度灵敏度漂移 (Temp.effect on output)	0.15%F.S./10 C
转速信号 (Speed signal)	RS485/60脉冲信号	供电电源 (Power supply)	24VDC±15%
精度 (Precision)	±0.1/0.2%F.S	材质 (Material Quality)	外壳: 铝; 轴芯: 17-4
过载能力 (Overload capacity)	150%	电缆线尺寸 (Cable size)	φ6×3000mm
响应频率 (Frequency response)	1ms		

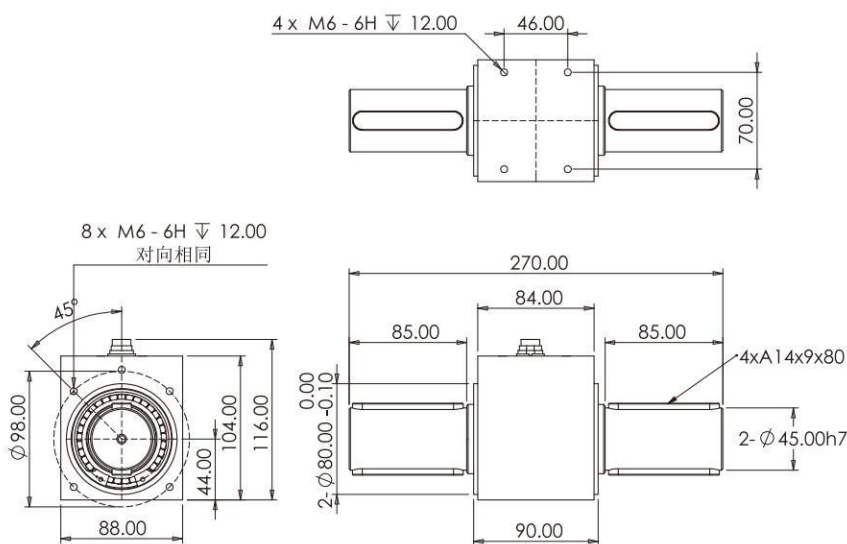
# 型号: YG2104



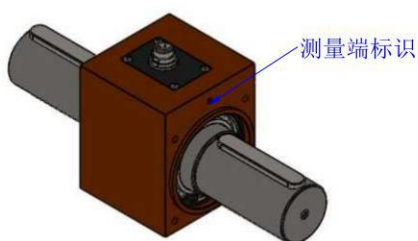
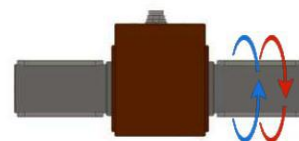
## 特点 Characteristics

- 线圈电磁耦合，实现电源与测量信号无线传输，12芯一体注塑航空插头，集扭矩信号频率信号，模拟量信号，转速信号，RS485数字信号整体输出。进口轴承，寿命较长，极限转速较高，耐负荷较高，摩擦力更小。一体成型外壳，更高的硬度，更小的变形，采用车规级芯片精度性能更高、稳定性更可靠。
- Electromagnetic coupling coil to achieve power and measurement signal wireless transmission, 10-pin aviation plug, set torque signal frequency signal, analog signal, speed signal, RS485 digital signal output. Imported bearings, longer life, higher limit speed, higher load resistance, less friction. One-piece shell, higher hardness, less deformation, more stable performance, longer life.

## 安装尺寸 Mounting dimensions



## 受力方式/Force mode



## 技术参数 Technical parameter

量程 (Measuring range)	500/1000/1300/1500/N.M		
转速范围 (Speed Range)	≤6000转/分钟	运行温度 (Operating Temperature)	-20~80°C
扭矩信号 (Torque signal)	RS485/±10V/±5V/0-10V/0-5V/5-15KHz	零点温度漂移 (Temp.effect on zero)	0.15%F.S./10 C
转速信号 (Speed signal)	RS485/60脉冲信号	温度灵敏度漂移 (Temp.effect on output)	0.15%F.S./10 C
精度 (Precision)	±0.1/0.2%F.S	供电电源 (Power supply)	24VDC±15%
过载能力 (Overload capacity)	150%	材质 (Material Quality)	外壳: 铝; 轴芯: 17-4
响应频率 (Frequency response)	1ms	电缆线尺寸 (Cable size)	φ6×3000mm

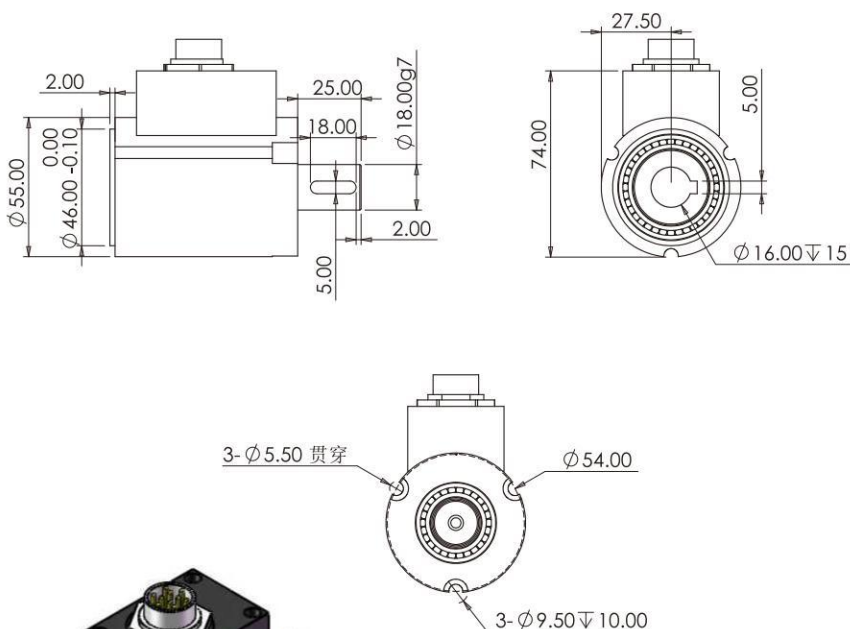
## 型号: YG3000



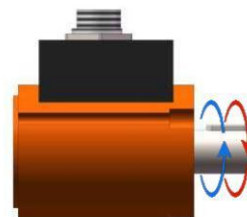
### 特点 Characteristics

- 线圈电磁耦合，实现电源与测量信号无线传输，12芯一体注塑航空插头，集扭矩信号频率信号，模拟量信号，转速信号，RS485数字信号整体输出。进口轴承，寿命较长，极限转速较高，耐负荷较高，摩擦力更小。一体成型外壳，更高的硬度，更小的变形，采用车规级芯片精度性能更高、稳定性更可靠。
- Electromagnetic coupling coil to achieve power and measurement signal wireless transmission, 12-pin aviation plug, set torque signal frequency signal, analog signal, speed signal, RS485 digital signal output. Imported bearings, longer life, higher limit speed, higher load resistance, less friction. One-piece shell, higher hardness, less deformation, more stable performance, longer life.

### 安装尺寸 Mounting dimensions



### ■ 受力方式/Force mode



### 技术参数 Technical parameter

量程 (Measuring range)	5/10/20/50/100N.M	运行温度 (Operating Temperature)	-20~80°C
转速范围 (Speed Range)	≤8000转/分钟	零点温度漂移 (Temp.effect on zero)	0.15%F.S./10 C
扭矩信号 (Torque signal)	RS485/±10V/±5V/0-10V/0-5V/5-15KHz	温度灵敏度漂移 (Temp.effect on output)	0.15%F.S./10 C
转速信号 (Speed signal)	RS485/60脉冲信号	供电电源 (Power supply)	24VDC±15%
精度 (Precision)	±0.1/0.2%F.S	材质 (Material Quality)	外壳: 铝; 轴芯: 17-4
过载能力 (Overload capacity)	150%	电缆线尺寸 (Cable size)	$\phi 6 \times 3000$ mm
响应频率 (Frequency response)	1ms		

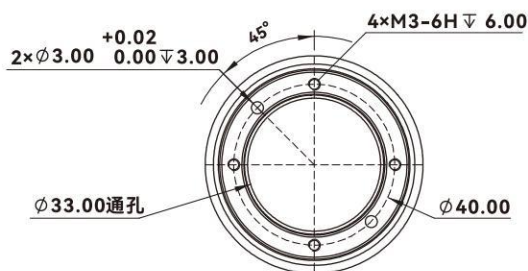
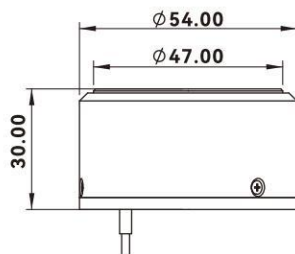
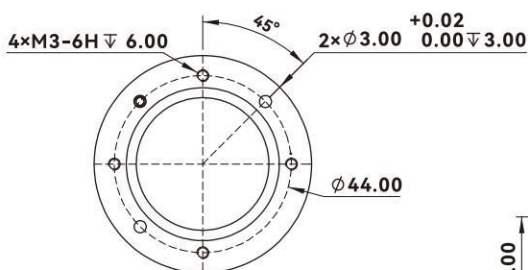
## 型号: T4000



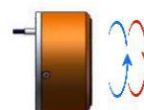
### 特点 Characteristics

- 电阻应变式原理，精度高，性能稳定可靠，低量程扭矩测量，形状薄，法兰连接，安装使用方便。
- Resistance strain gauge principle, high precision, stable and reliable performance, low range torque measurement, thin shape, flange connection, easy to install and use.

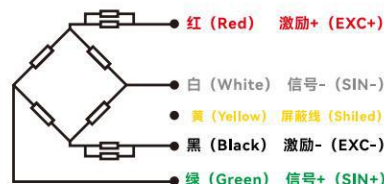
### 安装尺寸 Mounting dimensions



### ■ 受力方式/Force mode



### ■ 接线方法/Wiring method



### 技术参数 Technical parameter

量程 (Measuring range)	0.2/0.5/1/2/5 NM	灵敏度温度影响 (Sensitivity temperature effect)	±0.15%F.S/10°C
综合误差 (Composite Error)	±0.1/0.3%F.S.	零点温度影响 (Zero temperature effect)	±0.15%F.S/10°C
灵敏度 (Sensitivity)	1.0±10% $mV/V$	温度补偿范围 (Temperature compensation range)	-10 ~ 40°C
零点输出 (Zero output)	±2.0%F.S	使用温度范围 (Operating temperature range)	-20 ~ 60°C
非线性 (Non-linear)	0.1/0.3%F.S.	激励电压 (Excitation voltage)	5~12V
滞后 (Lag Behind)	0.1%F.S.	安全过载范围 (SAFE overload range)	120%F.S
重复性 (Repeatability)	0.1%F.S.	极限过载范围 (Limit Overload Range)	150%F.S
蠕变 (Creep)	±0.03%F.S/30min	响应频率 (Response Frequency)	100 $\mu$ S
输入阻抗 (Input impedance)	350/750±10 $\Omega$	电缆线尺寸 (Cable size)	φ2.5×3000mm
输出阻抗 (Output impedance)	350/700±5 $\Omega$	电气连接 (Electrical connection)	红/E+, 黑/E-, 绿/S+, 白/S-
绝缘电阻 (Insulation Resistance)	≥5000M $\Omega$ /100V DC	其它要求 (Other requirements)	可定制
材质 (Material Quality)	铝		

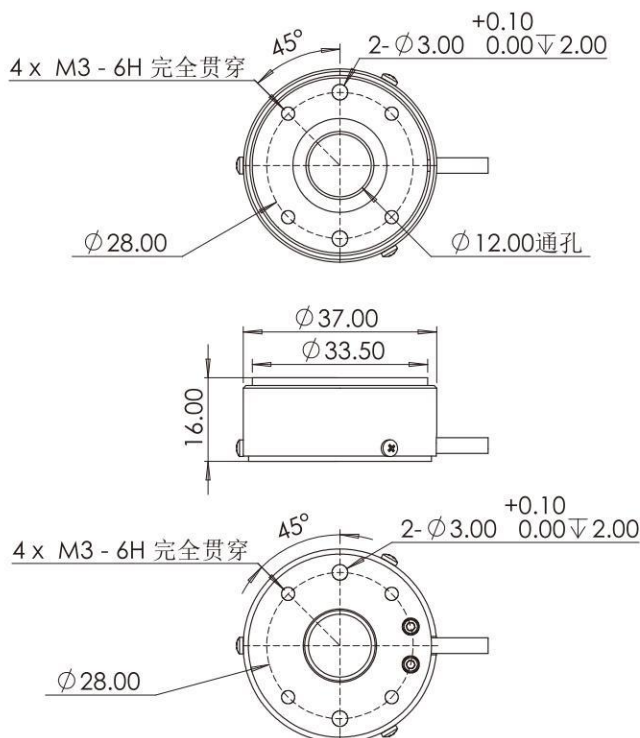
# 型号: T4001

## 特点 Characteristics

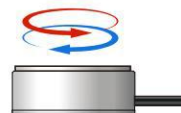
- 静态扭矩传感器结构紧凑便于安装，精度高，性能稳定可靠，防护等级:IP66，用于静态，非连续旋转的扭矩值测量。
- Static torque sensor is compact and easy to install, high precision, stable and reliable performance, protection class: IP66, for static, non-continuous rotation torque value measurement.



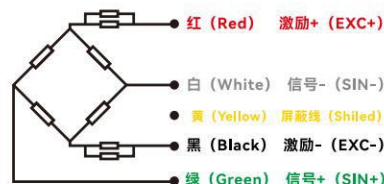
## 安装尺寸 Mounting dimensions



## ■ 受力方式/Force mode



## ■ 接线方法/Wiring method



## 技术参数 Technical parameter

量程 (Measuring range)	0.2/0.5/1/2/5/10 NM		
综合误差 (Composite Error)	±0.1/0.3%F.S.	灵敏度温度影响 (Sensitivity temperature effect)	±0.15%F.S/10°C
灵敏度 (Sensitivity)	1.0±10%mV/V	零点温度影响 (Zero temperature effect)	±0.15%F.S/10°C
零点输出 (Zero output)	±2.0%F.S	温度补偿范围 (Temperature compensation range)	-10~40°C
非线性 (Non-linear)	0.1/0.3%F.S.	使用温度范围 (Operating temperature range)	-20~60°C
滞后 (Lag Behind)	0.1%F.S.	激励电压 (Excitation voltage)	5~12V
重复性 (Repeatability)	0.1%F.S.	安全过载范围 (SAFE overload range)	120%F.S
蠕变 (Creep)	±0.03%F.S/30min	极限过载范围 (Limit Overload Range)	150%F.S
输入阻抗 (Input impedance)	350/750±10Ω	响应频率 (Response Frequency)	100μS
输出阻抗 (Output impedance)	350/700±5Ω	电缆线尺寸 (Cable size)	φ3×3000mm
绝缘电阻 (Insulation Resistance)	≥5000MΩ/100V DC	电气连接 (Electrical connection)	红/E+, 黑/E-, 绿/S+, 白/S-
材质 (Material Quality)	铝/17-4	其它要求 (Other requirements)	可定制

# 型号: T4002

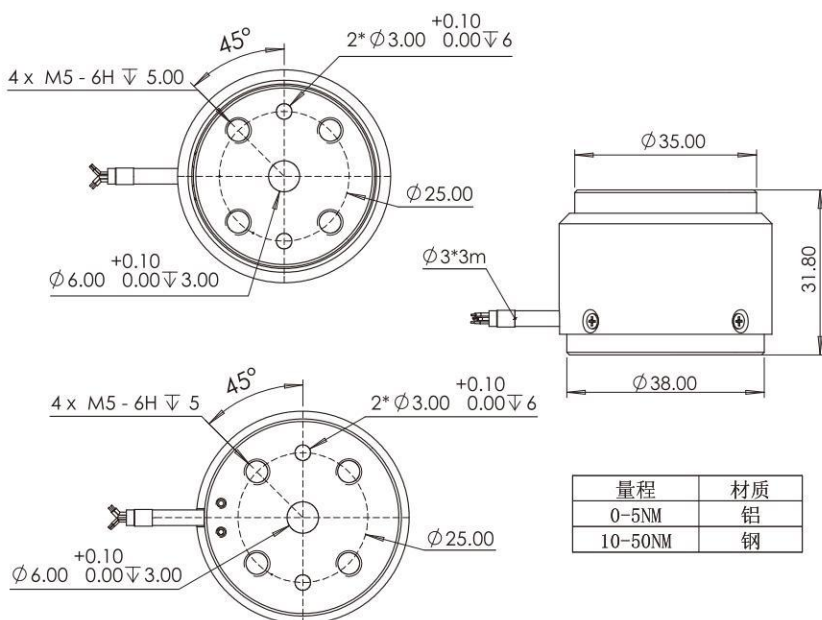


## 特点 Characteristics

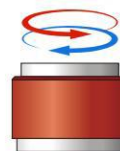
- 电阻应变为敏感元件和集成电路构成的一体产品, 精度高, 性能稳定可靠
- 低量程扭矩测量, 安装使用方便
- 双法兰盘连接
- 适用于静态扭矩测量
- 扭矩传感器采用德国技术和生产设备及先进的检测设备
- The resistance strain is an integrated product composed of sensitive elements and integrated circuits, with high precision and stable and reliable performance.
- Low Range Torque measurement, easy to install and use.
- Double Flange connection.
- Suitable for static torque measurement.
- Torque sensor adopts German technology and production equipment and advanced testing equipment.

静态扭矩

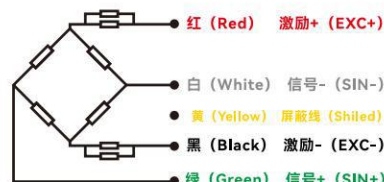
## 安装尺寸 Mounting dimensions



## ■ 受力方式/Force mode



## ■ 接线方法/Wiring method



## 技术参数 Technical parameter

量程 (Measuring range)	0-0.1/0.2/0.5/1/2/3/5/10/20/30/50 NM		
综合误差 (Composite Error)	±0.1/0.3%F.S.	灵敏度温度影响 (Sensitivity temperature effect)	±0.15%F.S/10°C
灵敏度 (Sensitivity)	1.0±10% mV/V	零点温度影响 (Zero temperature effect)	±0.15%F.S/10°C
零点输出 (Zero output)	±2.0%F.S	温度补偿范围 (Temperature compensation range)	-10~40°C
非线性 (Non-linear)	0.1/0.3%F.S.	使用温度范围 (Operating temperature range)	-20~60°C
滞后 (Lag Behind)	0.1%F.S	激励电压 (Excitation voltage)	5~12VDC
重复性 (Repeatability)	0.1% F.S	安全过载范围 (SAFE overload range)	120%F.S
蠕变 (Creep)	±0.03%F.S/30min	极限过载范围 (Limit Overload Range)	150%F.S
输入阻抗 (Input impedance)	350/750±10Ω	响应频率 (Response Frequency)	100μS
输出阻抗 (Output impedance)	350/700±5Ω	电缆线尺寸 (Cable size)	φ3×3000mm
绝缘电阻 (Insulation Resistance)	≥5000MΩ/100V DC	电气连接 (Electrical connection)	红/E+, 黑/E-, 绿/S+, 白/S-
材质 (Material Quality)	铝, 不锈钢或合金钢	其它要求 (Other requirements)	可定制

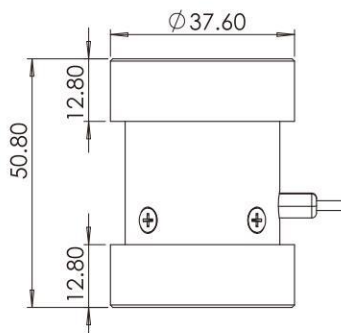
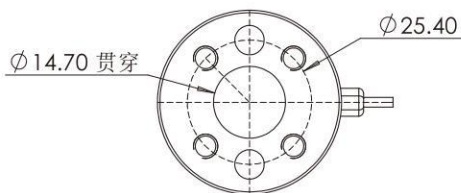
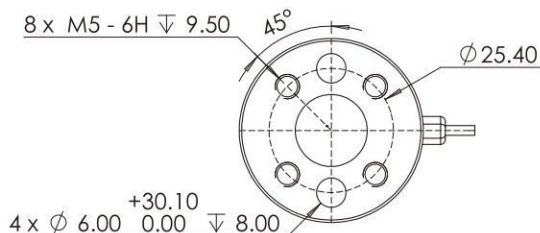
## 型号: T4004

## 特点 Characteristics

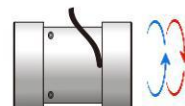
- 静态扭矩传感器，结构紧凑便于安装，防护等级：IP65，用于静态，非连续旋转的扭矩值测量。
- Static Torque sensor, compact for easy installation, protection level: IP65, for static, non-continuous rotating torque value measurement.



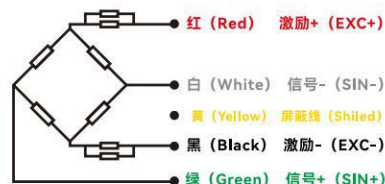
## 安装尺寸 Mounting dimensions



## ■ 受力方式/Force mode



## ■ 接线方法/Wiring method



## 技术参数 Technical parameter

量程 (Measuring range)	1/2/3/5/6/10/20/30/50/100/150 NM		
综合误差 (Composite Error)	±0.1/0.3%F.S.	灵敏度温度影响 (Sensitivity temperature effect)	±0.15%F.S/10°C
灵敏度 (Sensitivity)	1.5±10% mV/V	零点温度影响 (Zero temperature effect)	±0.15%F.S/10°C
零点输出 (Zero output)	±2.0%F.S	温度补偿范围 (Temperature compensation range)	-10~40°C
非线性 (Non-linear)	0.1/0.3%F.S.	使用温度范围 (Operating temperature range)	-20~60°C
滞后 (Lag Behind)	0.1%F.S.	激励电压 (Excitation voltage)	5~12V
重复性 (Repeatability)	0.1%F.S.	安全过载范围 (SAFE overload range)	120%F.S
蠕变 (Creep)	±0.03%F.S/30min	极限过载范围 (Limit Overload Range)	150%F.S
输入阻抗 (Input impedance)	410±20Ω	响应频率 (Response Frequency)	100μS
输出阻抗 (Output impedance)	350±100Ω	电缆线尺寸 (Cable size)	φ3×3000mm
绝缘电阻 (Insulation Resistance)	≥5000MΩ/100V DC	电气连接 (Electrical connection)	红/E+, 黑/E-, 绿/S+, 白/S-
材质 (Material Quality)	铝/合金钢	其它要求 (Other requirements)	可定制

# 型号: T4008

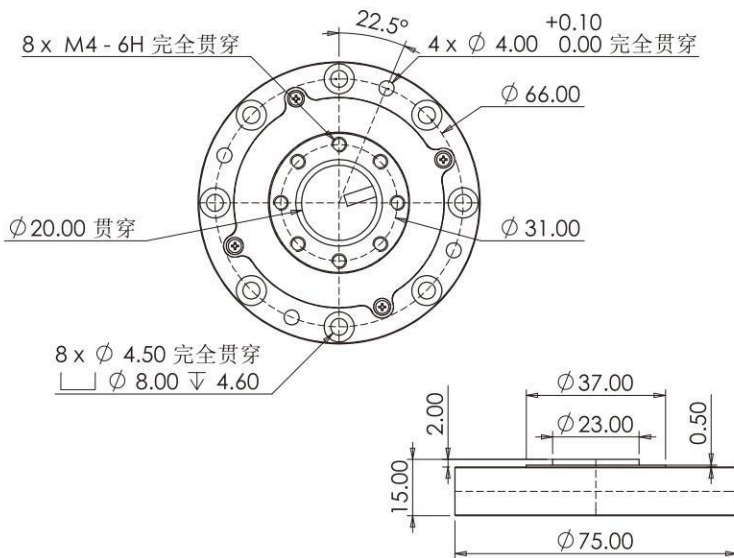
## 特点 Characteristics

- 电阻应变式原理，精度高，性能稳定可靠，低量程扭矩测量，形状薄，法兰连接，安装使用方便。
- Resistance strain gauge principle, high precision, stable and reliable performance, low range torque measurement, thin shape, flange connection, easy to install and use.

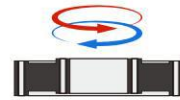


静态扭矩

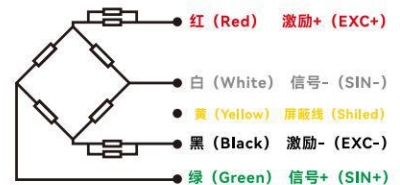
## 安装尺寸 Mounting dimensions



## ■ 受力方式/Force mode



## ■ 接线方法/Wiring method



## 技术参数 Technical parameter

量程 (Measuring range)	100-300 NM		
综合误差 (Composite Error)	$\pm 0.5\%$ F.S.	灵敏度温度影响 (Sensitivity temperature effect)	$\pm 0.15\%$ F.S./10°C
灵敏度 (Sensitivity)	1.5 $\pm 10\%$ mV/V	零点温度影响 (Zero temperature effect)	$\pm 0.15\%$ F.S./10°C
零点输出 (Zero output)	$\pm 2.0\%$ F.S.	温度补偿范围 (Temperature compensation range)	-10~40°C
非线性 (Non-linear)	0.5%F.S.	使用温度范围 (Operating temperature range)	-20~60°C
滞后 (Lag Behind)	0.5%F.S.	激励电压 (Excitation voltage)	5~12V
重复性 (Repeatability)	0.5%F.S.	安全过载范围 (SAFE overload range)	120%F.S.
蠕变 (Creep)	$\pm 0.1\%$ F.S./30min	极限过载范围 (Limit Overload Range)	150%F.S.
输入阻抗 (Input impedance)	750 $\pm 10\Omega$	响应频率 (Response Frequency)	100 $\mu$ S
输出阻抗 (Output impedance)	700 $\pm 50\Omega$	电缆线尺寸 (Cable size)	$\phi 3 \times 3000$ mm
绝缘电阻 (Insulation Resistance)	$\geq 5000$ M $\Omega$ /100V DC	电气连接 (Electrical connection)	红/E+, 黑/E-, 绿/S+, 白/S-
材质 (Material Quality)	铝/合金钢	其它要求 (Other requirements)	可定制

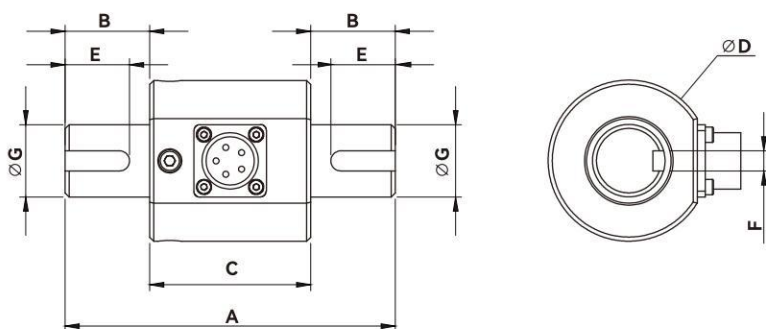
# 型号: T4101

## 特点 Characteristics

- 电阻应变为敏感元件和集成电路构成的一体产品，精度高，性能稳定可靠，测量范围广。
- 静态扭矩测量，两端均为键连接，安装使用方便。
- 扭矩传感器采用德国技术和生产设备及先进的检测设备。
- The resistance strain is an integrated product composed of sensitive element and integrated circuit, with high precision, stable and reliable performance, and wide measuring range.
- Static torque measurement, both ends are key connection, easy to install and use.
- Torque sensor adopts German technology and production equipment and advanced testing equipment.

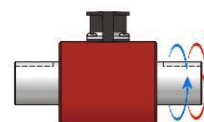


## 安装尺寸 Mounting dimensions



量程	A	B	D	E	F	G
1 NM	75	20	35	15	/	8
2 NM	75	20	35	15	/	8
5 NM	75	20	35	15	/	10
10 NM	82	21	40	16	5*5	18
20 NM	82	21	40	16	5*5	18
50 NM	82	21	40	16	5*5	18
100 NM	110	35	40	30	10*8	32
200 NM	110	35	40	30	10*8	32
500 NM	155	55	45	50	12*8	47
1000 NM	155	55	45	50	12*8	47

## ■ 受力方式/Force mode



## ■ 接线方法/Wiring method



## 技术参数 Technical parameter

量程 (Measuring range)	1/2/5/10/20/50/100/200/500/1000 NM		
综合误差 (Composite Error)	±0.1%F.S.	灵敏度温度影响 (Sensitivity temperature effect)	±0.15%F.S/10°C
灵敏度 (Sensitivity)	1.5±10%mV/V	零点温度影响 (Zero temperature effect)	±0.15%F.S/10°C
零点输出 (Zero output)	±2.0%F.S	温度补偿范围 (Temperature compensation range)	-10~40°C
非线性 (Non-linear)	0.1%F.S.	使用温度范围 (Operating temperature range)	-20~60°C
滞后 (Lag Behind)	0.1%F.S.	激励电压 (Excitation voltage)	5~12V
重复性 (Repeatability)	0.1%F.S.	安全过载范围 (SAFE overload range)	120%F.S
蠕变 (Creep)	±0.03%F.S/30min	极限过载范围 (Limit Overload Range)	150%F.S
输入阻抗 (Input impedance)	750±10Ω	响应频率 (Response Frequency)	100μS
输出阻抗 (Output impedance)	700±50Ω	电缆线尺寸 (Cable size)	φ5×3000mm
绝缘电阻 (Insulation Resistance)	≥5000MΩ/100V DC	电气连接 (Electrical connection)	红/E+, 黑/E-, 绿/S+, 白/S-
材质 (Material Quality)	不锈钢	其它要求 (Other requirements)	可定制

# 型号: T4200

## 特点 Characteristics



T4200采用电阻应变式原理，性能稳定可靠，适用于低中量程扭矩测量场合；采用法兰安装方式，安装简单方便。

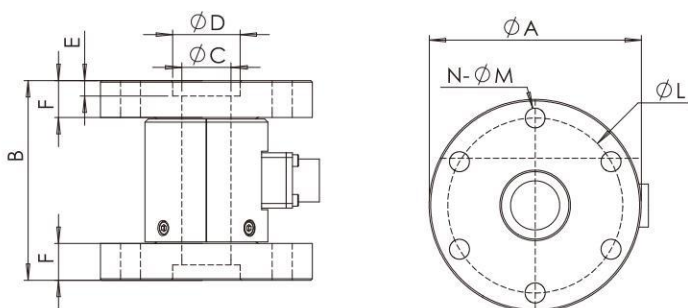
- 精度高、性能稳定可靠
- 低中量程静态扭矩测量，安装简易
- 过载能力强

T4200 adopts resistance strain-type principle, stable and reliable performance, suitable for low and medium range torque measurement.

- High precision, stable and reliable performance
- Low and medium range static torque measurement, easy installation
- Strong overload capacity

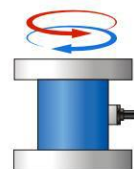
静态扭矩

## 安装尺寸 Mounting dimensions

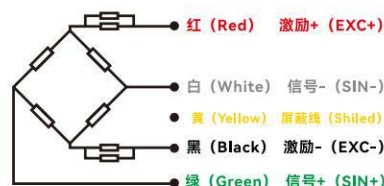


量程	A	B	C	D	E	F	N	M	L
5-50NM	69	65	16	22	5	12	6	6.5	57
100-300NM	69	65	22	28	5	12	6	6.5	57
500-1000NM	98	80	30	40	5	15	8	8.5	80
2000-5000NM	125	96	45	55	5	20	8	13	105

## ■ 受力方式/Force mode



## ■ 接线方法/Wiring method



## 技术参数 Technical parameter

量程 (Measuring range)	5-5000 NM		
综合误差 (Composite Error)	±0.3%F.S.	灵敏度温度影响 (Sensitivity temperature effect)	±0.15%F.S/10°C
灵敏度 (Sensitivity)	1.5±10% $mV/V$	零点温度影响 (Zero temperature effect)	±0.15%F.S/10°C
零点输出 (Zero output)	±1.0%F.S	温度补偿范围 (Temperature compensation range)	-10~40°C
非线性 (Non-linear)	0.3%F.S.	使用温度范围 (Operating temperature range)	-20~60°C
滞后 (Lag Behind)	0.3%F.S.	激励电压 (Excitation voltage)	5~12V
重复性 (Repeatability)	0.3%F.S.	安全过载范围 (SAFE overload range)	120%F.S
蠕变 (Creep)	±0.03%F.S/30min	极限过载范围 (Limit Overload Range)	150%F.S
输入阻抗 (Input impedance)	750±10Ω	响应频率 (Response Frequency)	100μS
输出阻抗 (Output impedance)	700±50Ω	电缆线尺寸 (Cable size)	φ6×3000mm
绝缘电阻 (Insulation Resistance)	≥5000MΩ/100V DC	电气连接 (Electrical connection)	红/E+, 黑/E-, 绿/S+, 白/S-
材质 (Material Quality)	铝/合金钢	其它要求 (Other requirements)	可定制

## T4300



## T4300A



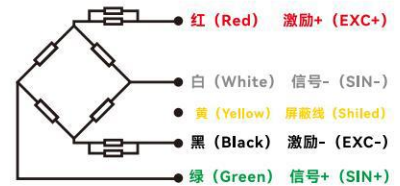
## T4300B



### 特点 Characteristics

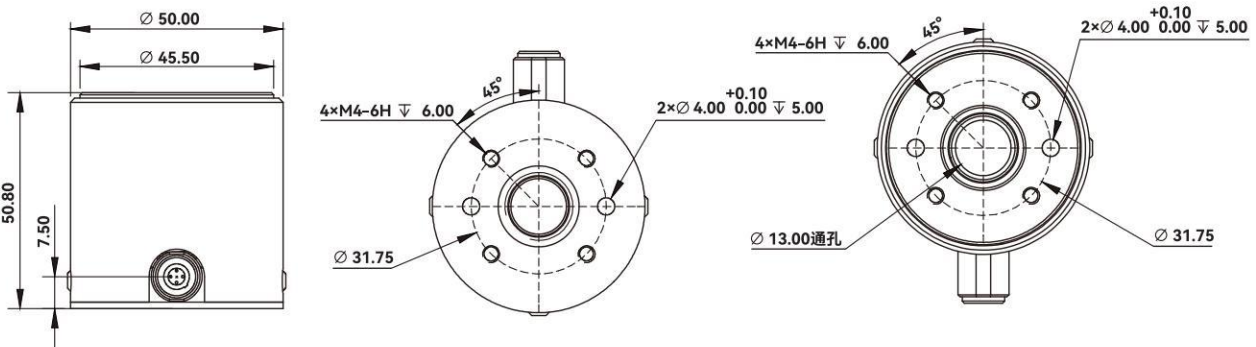
- 特点轻松集成到OEM应用程序中
- 专为扭矩审计而设计
- 铝结构
- 低量程内置过载保护
- 基于应变片的
- 轻松断开电缆
- Easily integrates into OEM applications
- Designed for Torque auditing
- Aluminum construction
- Built-in overload protection on lower ranges
- Strain gauge based
- Easy cable disconnect

### 接线方法/Wiring method

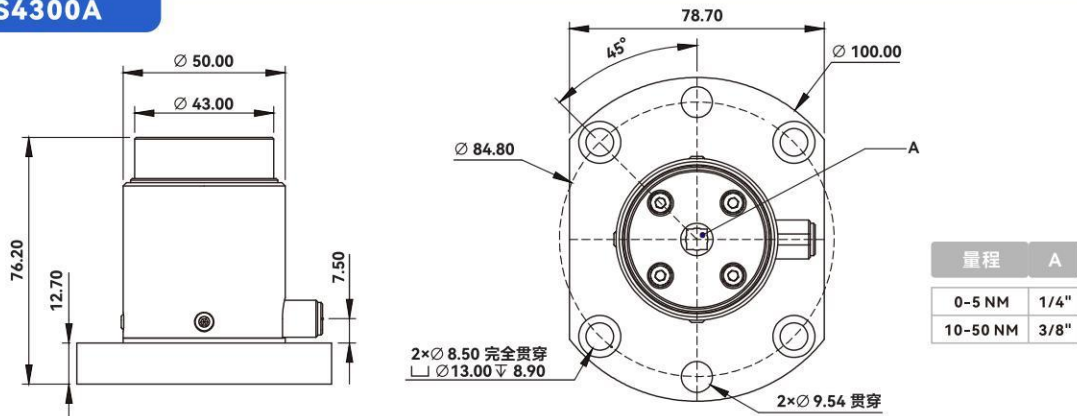


### 安装尺寸 Mounting dimensions

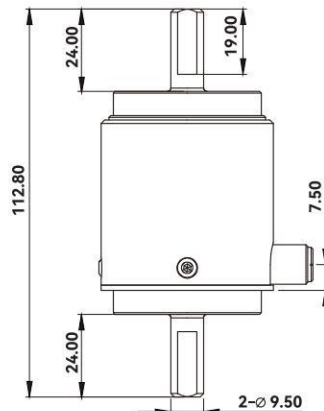
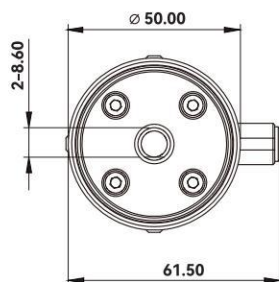
#### S4300



#### S4300A



T4300B



静态扭矩

技术参数 Technical parameter

量程 (Measuring range)	0-50 NM		
综合误差 (Composite Error)	±0.2%F.S.	灵敏度温度影响 (Sensitivity temperature effect)	±0.15%F.S./10°C
灵敏度 (Sensitivity)	1.0/2.0±10%mV/V	零点温度影响 (Zero temperature effect)	±0.15%F.S./10°C
零点输出 (Zero output)	±1.0%F.S	温度补偿范围 (Temperature compensation range)	-10~40°C
非线性 (Non-linear)	0.2%F.S.	使用温度范围 (Operating temperature range)	-20~60°C
滞后 (Lag Behind)	0.2%F.S.	激励电压 (Excitation voltage)	5~12V
重复性 (Repeatability)	0.2%F.S.	安全过载范围 (SAFE overload range)	120%F.S
蠕变 (Creep)	±0.03%F.S/30min	极限过载范围 (Limit Overload Range)	150%F.S
输入阻抗 (Input impedance)	350/750±10Ω	响应频率 (Response Frequency)	100μS
输出阻抗 (Output impedance)	350/700±5Ω	电缆线尺寸 (Cable size)	φ3×3000mm
绝缘电阻 (Insulation Resistance)	≥5000MΩ/100V DC	电气连接 (Electrical connection)	红/E+, 黑/E-, 绿/S+, 白/S-
材质 (Material Quality)	铝	其它要求 (Other requirements)	可定制

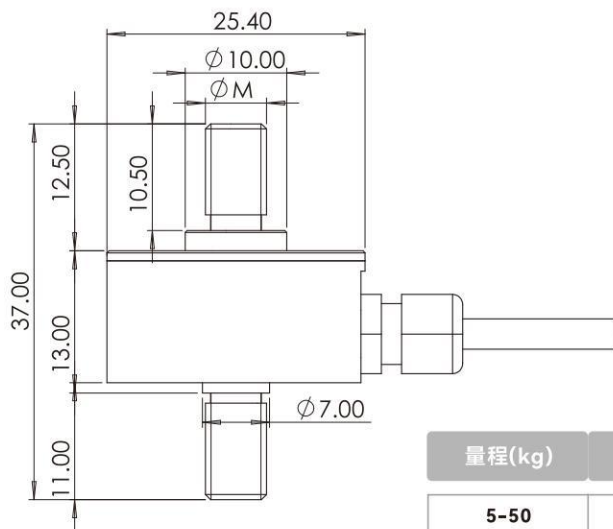
## 型号: T5000



## 特点 Characteristics

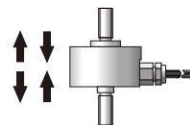
- T5000微型测力传感器。高度低、变形量小，不锈钢材料，拉压双向测量。主要用于汽车压装、自动化组装、3C产品测试、新能源产品组装、医疗检测、机器人领域、模具组装等工业自动化领域。
- T5000 miniature force transducer. Low Height, small deformation, stainless steel, two-way measurement of tension and compression. Mainly used in automobile pressing assembly, Automatic Assembly, 3C product testing, new energy product assembly, medical testing, robot field, die assembly and other industrial automation fields.

## 安装尺寸 Mounting dimensions

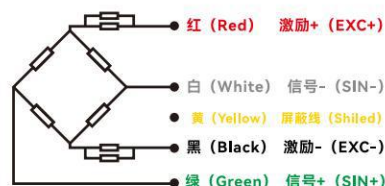


量程(kg)	M
5-50	5
100	6

## ■ 受力方式/Force mode



## ■ 接线方法/Wiring method



## 技术参数 Technical parameter

量程 (Measuring range)	5/10/20/30/50/100 kg		
综合误差 (Composite Error)	±0.1%F.S.	灵敏度温度影响 (Sensitivity temperature effect)	±0.05%F.S./10°C
灵敏度 (Sensitivity)	1.0/2.0±10% $mV/V$	零点温度影响 (Zero temperature effect)	±0.05%F.S./10°C
零点输出 (Zero output)	±2.0%F.S	温度补偿范围 (Temperature compensation range)	-10~60°C
非线性 (Non-linear)	0.1%F.S.	使用温度范围 (Operating temperature range)	-20~80°C
滞后 (Lag Behind)	0.1%F.S.	激励电压 (Excitation voltage)	5~12V
重复性 (Repeatability)	0.1%F.S.	安全过载范围 (SAFE overload range)	150%F.S
蠕变 (Creep)	±0.05%F.S./30min	极限过载范围 (Limit Overload Range)	200%F.S
输入阻抗 (Input impedance)	700±10Ω	响应频率 (Response Frequency)	100μS
输出阻抗 (Output impedance)	700±10Ω	电缆线尺寸 (Cable size)	φ3×3000mm
绝缘电阻 (Insulation Resistance)	≥5000MΩ/100V DC	电气连接 (Electrical connection)	红/E+, 黑/E-, 绿/S+, 白/S-
材质 (Material Quality)	不锈钢	其它要求 (Other requirements)	可定制

## 型号: T5001

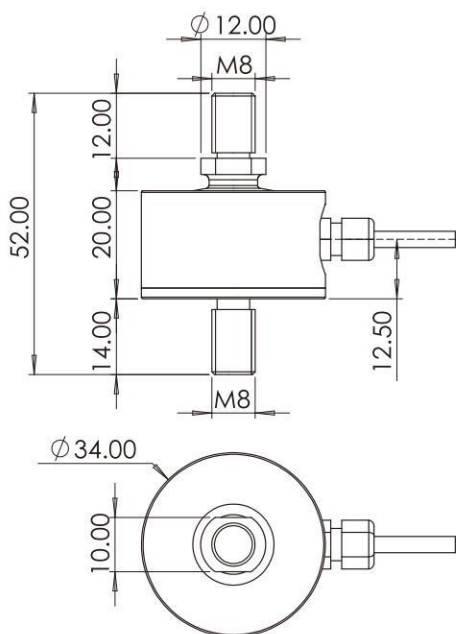
### 特点 Characteristics

- 微型传感器，高度低，变形量小，动态响应频率高，不锈钢材料，拉压双向，主要用于汽车压装、3C产品测试、新能源组装、医疗检测、机器人领域、模具组装等自动化领域。
- Micro sensor, low height, small deformation, high dynamic frequency, stainless steel material, two-way tension and compression, mainly used in automobile pressing assembly, 3C product testing, new energy assembly, medical testing, robot field, mold assembly and other automated fields.

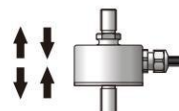


可定做: 高温 防水

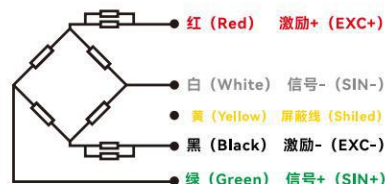
### 安装尺寸 Mounting dimensions



### ■ 受力方式/Force mode



### ■ 接线方法/Wiring method



### 技术参数 Technical parameter

量程 (Measuring range)	50/100/150/200/300/500 kg		
综合误差 (Composite Error)	±0.2%F.S.	灵敏度温度影响 (Sensitivity temperature effect)	±0.05%F.S./10°C
灵敏度 (Sensitivity)	1.5±20mV/V	零点温度影响 (Zero temperature effect)	±0.05%F.S./10°C
零点输出 (Zero output)	±2.0%F.S	温度补偿范围 (Temperature compensation range)	-10~60°C
非线性 (Non-linear)	0.2%F.S.	使用温度范围 (Operating temperature range)	-20~80°C
滞后 (Lag Behind)	0.2%F.S.	激励电压 (Excitation voltage)	5~15V
重复性 (Repeatability)	0.2%F.S.	安全过载范围 (SAFE overload range)	150%F.S
蠕变 (Creep)	±0.1%F.S./30min	极限过载范围 (Limit Overload Range)	200%F.S
输入阻抗 (Input impedance)	700±10Ω	响应频率 (Response Frequency)	100μS
输出阻抗 (Output impedance)	700±10Ω	电缆线尺寸 (Cable size)	φ5×3000mm
绝缘电阻 (Insulation Resistance)	≥5000MΩ/100V DC	电气连接 (Electrical connection)	红/E+, 黑/E-, 绿/S+, 白/S-
材质 (Material Quality)	不锈钢	其它要求 (Other requirements)	可定制

## 型号: T5003

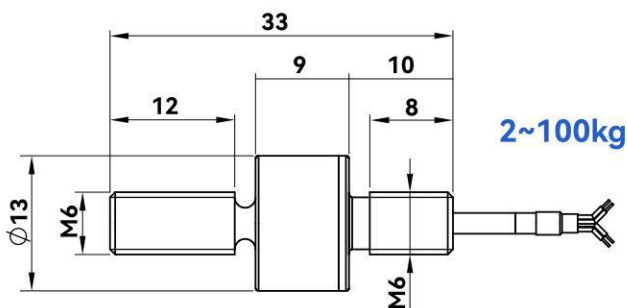


### 特点 Characteristics

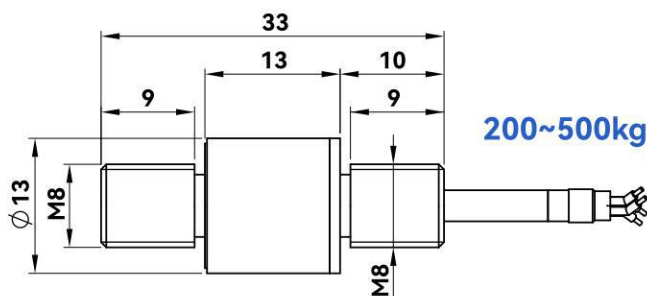
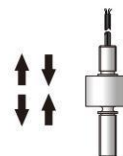
- 不锈钢或铝合金材料微型传感器，密封性好，可定做防水；上端出线，适合特殊安装要求。采用金属箔式应变片技术。适用于各种小空间的测力，广泛应用于工业、研发等领域的测量和控制。
- Stainless steel or aluminum alloy material micro sensor, good sealing, can be customized waterproof; upper outlet, suitable for special installation requirements. Using metal foil strain gauge technology. It is widely used in the measurement and control of industry, R & D and other fields.

可定做: 高温 防水

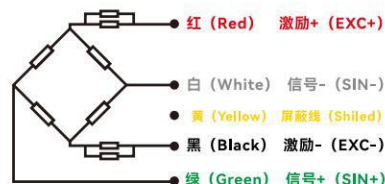
### 安装尺寸 Mounting dimensions



### ■ 受力方式/Force mode



### ■ 接线方法/Wiring method



### 技术参数 Technical parameter

量程 (Measuring range)	2/5/10/20/30/50/100 /200/300/500 kg		
综合误差 (Composite Error)	±0.5%F.S.	灵敏度温度影响 (Sensitivity temperature effect)	±0.05%F.S/10°C
灵敏度 (Sensitivity)	1.0/2.0±20% $mV/V$	零点温度影响 (Zero temperature effect)	±0.05%F.S/10°C
零点输出 (Zero output)	±2.0%F.S	温度补偿范围 (Temperature compensation range)	-10~60°C
非线性 (Non-linear)	±0.5%F.S	使用温度范围 (Operating temperature range)	-20~80°C
滞后 (Lag Behind)	0.5%F.S.	激励电压 (Excitation voltage)	5~10V
重复性 (Repeatability)	0.5%F.S.	安全过载范围 (SAFE overload range)	150%F.S
蠕变 (Creep)	±0.25%F.S/30min	极限过载范围 (Limit Overload Range)	200%F.S
输入阻抗 (Input impedance)	800±10Ω	响应频率 (Response Frequency)	100μS
输出阻抗 (Output impedance)	800±5Ω	电缆线尺寸 (Cable size)	φ2×3000mm
绝缘电阻 (Insulation Resistance)	≥5000MΩ/100V DC	电气连接 (Electrical connection)	红/E+, 黑/E-, 绿/S+, 白/S-
材质 (Material Quality)	不锈钢	其它要求 (Other requirements)	可定制

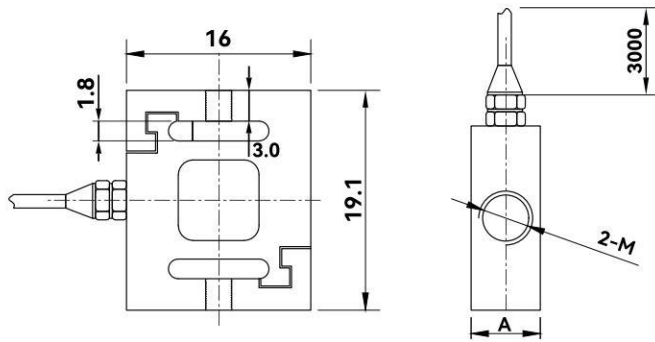
# 型号: T5100

## 特点 Characteristics



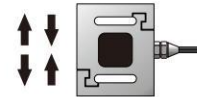
- T5100超小型测力传感器，特制不锈钢材料；采用金属箔式应变片技术，带过载保护。适用于超小型安装空间测量系统。广泛应用于推拉力计，机器人测试等工业测量系统。
- T5100 ultra-small force sensor, specially made of stainless steel material, using metal foil strain gauge technology, with overload protection. The utility model is suitable for the subminiature installation space measurement system. It is widely used in industrial measurement system such as push-pull gauge, robot test and so on.

## 安装尺寸 Mounting dimensions

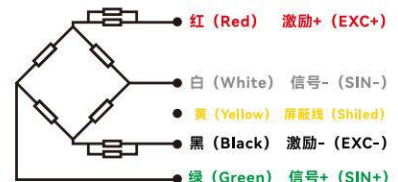


量程 (kg)	A	M
0-2	5	3
0-2	6	4
0-50	6	4
100	9	4

## ■ 受力方式/Force mode



## ■ 接线方法/Wiring method



## 技术参数 Technical parameter

量程 (Measuring range)	0.2/0.5/1/1.5/2/3/5/10/20/50/100 kg		
综合误差 (Composite Error)	±0.1%F.S.	灵敏度温度影响 (Sensitivity temperature effect)	±0.05%F.S/10°C
灵敏度 (Sensitivity)	1.0/2.0±10% $mV/V$	零点温度影响 (Zero temperature effect)	±0.05%F.S/10°C
零点输出 (Zero output)	±2.0%F.S	温度补偿范围 (Temperature compensation range)	-10~60°C
非线性 (Non-linear)	0.1%F.S	使用温度范围 (Operating temperature range)	-20~80°C
滞后 (Lag Behind)	0.1%F.S.	激励电压 (Excitation voltage)	5~12V
重复性 (Repeatability)	0.1%F.S.	安全过载范围 (SAFE overload range)	150%F.S
蠕变 (Creep)	±0.05%F.S/30min	极限过载范围 (Limit Overload Range)	300%F.S
输入阻抗 (Input impedance)	350±30Ω	响应频率 (Response Frequency)	100μS
输出阻抗 (Output impedance)	350±5Ω	电缆线尺寸 (Cable size)	φ2×3000mm
绝缘电阻 (Insulation Resistance)	≥5000MΩ/100V DC	电气连接 (Electrical connection)	红/E+, 黑/E-, 绿/S+, 白/S-
材质 (Material Quality)	不锈钢	其它要求 (Other requirements)	可定制

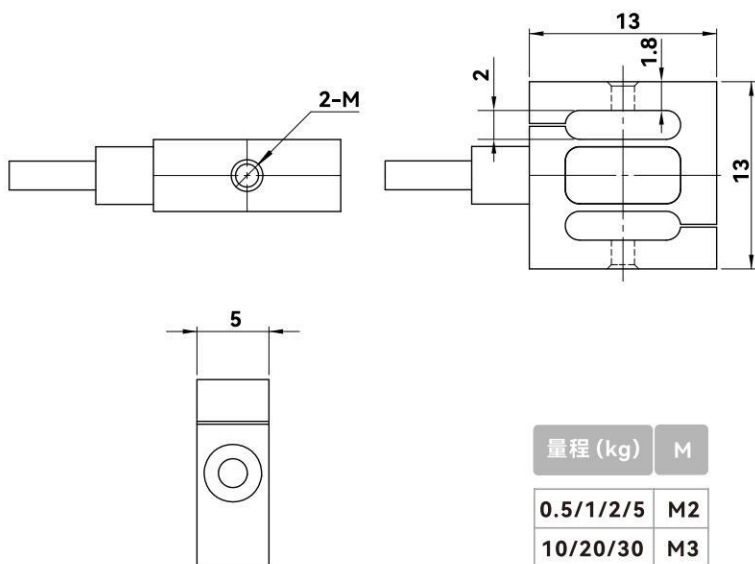
# 型号: T5101

## 特点 Characteristics

- 广泛应用于小空间拉力测试、张力测试等各种工业自动化设备。键盘手感，按键测力等，测量精度优于±0.15%，长期稳定性好，重复性可靠性高，采用不锈钢材质。
- Widely used in small space tension test, tension test and other industrial automation equipment. Keyboard feel, key force measurement, the measurement accuracy is better than ±0.15%, long-term stability, high reliability, the use of stainless steel.



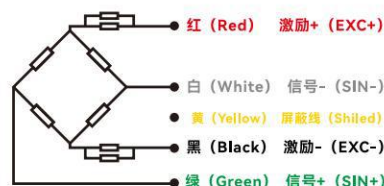
## 安装尺寸 Mounting dimensions



## ■ 受力方式/Force mode



## ■ 接线方法/Wiring method



量程 (kg)	M
0.5/1/2/5	M2
10/20/30	M3

## 技术参数 Technical parameter

量程 (Measuring range)	0.5/1/2/3/5/10/20/30 kg		
综合误差 (Composite Error)	±0.2%F.S.	灵敏度温度影响 (Sensitivity temperature effect)	±0.05%F.S/10°C
灵敏度 (Sensitivity)	1.0/2.0±10% $mV/V$	零点温度影响 (Zero temperature effect)	±0.05%F.S/10°C
零点输出 (Zero output)	±2.0%F.S	温度补偿范围 (Temperature compensation range)	-10~60°C
非线性 (Non-linear)	0.2%F.S	使用温度范围 (Operating temperature range)	-20~80°C
滞后 (Lag Behind)	0.2%F.S.	激励电压 (Excitation voltage)	5~12V
重复性 (Repeatability)	0.2%F.S.	安全过载范围 (SAFE overload range)	120%F.S
蠕变 (Creep)	±0.5%F.S/30min	极限过载范围 (Limit Overload Range)	150%F.S
输入阻抗 (Input impedance)	350±30Ω	响应频率 (Response Frequency)	100μS
输出阻抗 (Output impedance)	350±5Ω	电缆线尺寸 (Cable size)	φ2×3000mm
绝缘电阻 (Insulation Resistance)	≥5000MΩ/100V DC	电气连接 (Electrical connection)	红/E+, 黑/E-, 绿/S+, 白/S-
材质 (Material Quality)	不锈钢	其它要求 (Other requirements)	可定制

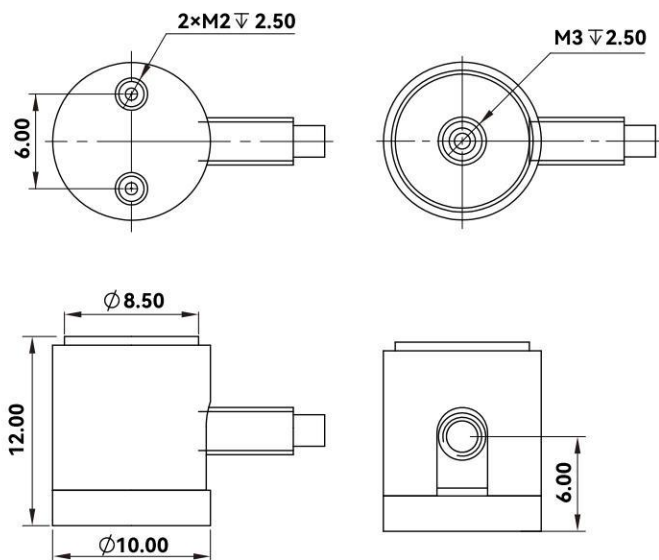
# 型号: T5200

## 特点 Characteristics



- T5200测力传感器。微型测力传感器，尺寸小；采用圆柱形变形量小，过载能力强。可实现拉压双向测量。适用各种工业主压力测量或拉力测量系统。
- T5200 force transducer. Miniature Force Sensor, small size, small cylindrical deformation, strong overload capacity. Two-way measurement of tension and compression can be realized. Suitable for all kinds of industrial main pressure measurement or tension measurement system.

## 安装尺寸 Mounting dimensions

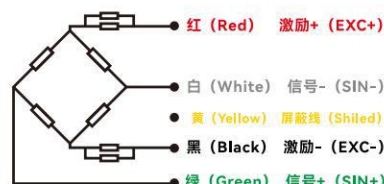


注：螺丝拧进传感器螺纹孔深度不要超2.5mm，以免损坏内部线路及结构。

## ■ 受力方式/Force mode



## ■ 接线方法/Wiring method



## 技术参数 Technical parameter

量程 (Measuring range)	1/2/3/5/10/20/50 kg		
综合误差 (Composite Error)	±0.3%F.S.	灵敏度温度影响 (Sensitivity temperature effect)	±0.05%F.S/10°C
灵敏度 (Sensitivity)	2.0±10%mV/V	零点温度影响 (Zero temperature effect)	±0.05%F.S/10°C
零点输出 (Zero output)	±2.0%F.S	温度补偿范围 (Temperature compensation range)	-10~40°C
非线性 (Non-linear)	0.3%F.S.	使用温度范围 (Operating temperature range)	-20~60°C
滞后 (Lag Behind)	0.3%F.S.	激励电压 (Excitation voltage)	5~15V
重复性 (Repeatability)	0.3%F.S.	安全过载范围 (SAFE overload range)	150%F.S
蠕变 (Creep)	±0.1%F.S/30min	极限过载范围 (Limit Overload Range)	200%F.S
输入阻抗 (Input impedance)	350±20Ω	响应频率 (Response Frequency)	100μS
输出阻抗 (Output impedance)	350±5Ω	电缆线尺寸 (Cable size)	φ2×3000mm
绝缘电阻 (Insulation Resistance)	≥5000MΩ/100V DC	电气连接 (Electrical connection)	红/E+, 黑/E-, 绿/S+, 白/S-
材质 (Material Quality)	不锈钢	其它要求 (Other requirements)	可定制

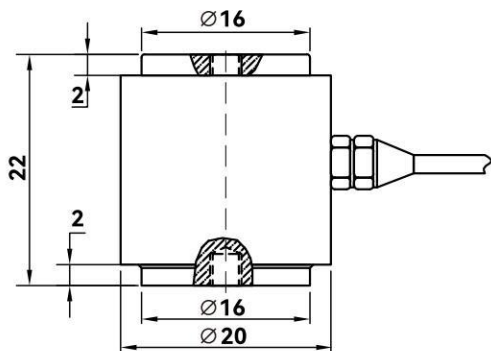
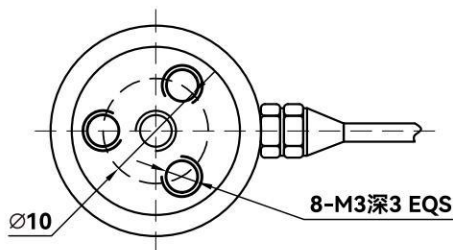
## 型号: T5201

### 特点 Characteristics



- T5201微型测力传感器。高度低、变形量小，不锈钢材料，拉压双向测量，动态响应速率高。主要应用于推拉力计、注塑和模具行业、机器人抓取等工业测量场合。
- T5201 miniature force transducer. Low Height, small deformation, stainless steel material, two-way measurement of tension and compression, high dynamic response rate. Mainly used in push-pull gauge, injection and mold industries, robot grasping and other industrial measurement occasions.

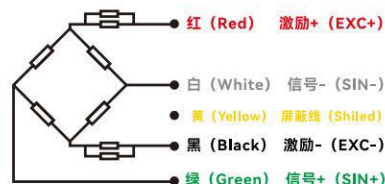
### 安装尺寸 Mounting dimensions



### ■ 受力方式/Force mode



### ■ 接线方法/Wiring method



### 技术参数 Technical parameter

量程 (Measuring range)	2/5/10/20/30/50/100/200 kg		
综合误差 (Composite Error)	±0.1%F.S.	灵敏度温度影响 (Sensitivity temperature effect)	±0.05%F.S./10°C
灵敏度 (Sensitivity)	1.0/2.0±10% $mV/V$	零点温度影响 (Zero temperature effect)	±0.05%F.S./10°C
零点输出 (Zero output)	±2.0%F.S	温度补偿范围 (Temperature compensation range)	-10~60°C
非线性 (Non-linear)	0.1%F.S.	使用温度范围 (Operating temperature range)	-20~80°C
滞后 (Lag Behind)	0.1%F.S.	激励电压 (Excitation voltage)	5~12V
重复性 (Repeatability)	0.1%F.S.	安全过载范围 (SAFE overload range)	150%F.S
蠕变 (Creep)	±0.1%F.S./30min	极限过载范围 (Limit Overload Range)	200%F.S
输入阻抗 (Input impedance)	650/350±10 $\Omega$	响应频率 (Response Frequency)	100 $\mu$ S
输出阻抗 (Output impedance)	650/350±10 $\Omega$	电缆线尺寸 (Cable size)	$\phi$ 3×3000mm
绝缘电阻 (Insulation Resistance)	≥5000M $\Omega$ /100V DC	电气连接 (Electrical connection)	红/E+, 黑/E-, 绿/S+, 白/S-
材质 (Material Quality)	不锈钢	其它要求 (Other requirements)	可定制

# 型号: T6000

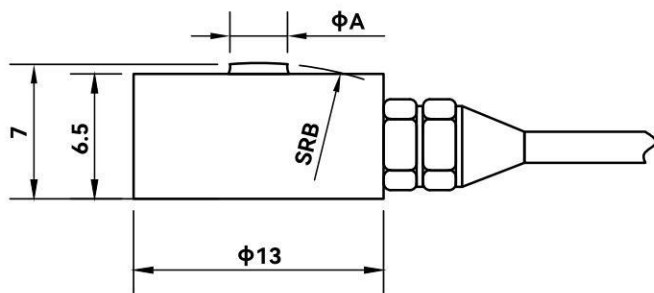
## 特点 Characteristics



- 采用传感器专用材质打造的微型传感器。适用于各种小空间测力，广泛应用于工业、研发等领域的测量和控制。
- A miniature sensor made of special materials for sensors. It is widely used in industry, R & D and other fields of measurement and control.

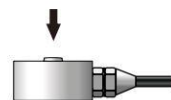
可定做: 高温 防水

## 安装尺寸 Mounting dimensions

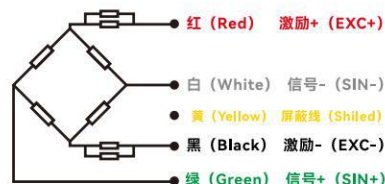


量程 (kg)	A	B
2/5/10/20	2	10
30/50/100/200	3	18

## ■ 受力方式/Force mode



## ■ 接线方法/Wiring method



## 技术参数 Technical parameter

量程 (Measuring range)	2/5/10/20/30/50/100/200 kg		
综合误差 (Composite Error)	±0.3%F.S.	灵敏度温度影响 (Sensitivity temperature effect)	±0.1%F.S/10°C
灵敏度 (Sensitivity)	1.0/2.0±10% <i>mV/V</i>	零点温度影响 (Zero temperature effect)	±0.1%F.S/10°C
零点输出 (Zero output)	±2.0%F.S	温度补偿范围 (Temperature compensation range)	-10~60°C
非线性 (Non-linear)	0.3%F.S.	使用温度范围 (Operating temperature range)	-20~80°C
滞后 (Lag Behind)	0.3%F.S.	激励电压 (Excitation voltage)	5~12V
重复性 (Repeatability)	0.3%F.S.	安全过载范围 (SAFE overload range)	150%F.S
蠕变 (Creep)	±0.5%F.S/30min	极限过载范围 (Limit Overload Range)	200%F.S
输入阻抗 (Input impedance)	350±10/800~1100Ω	响应频率 (Response Frequency)	100μS
输出阻抗 (Output impedance)	350±5/800~1100Ω	电缆线尺寸 (Cable size)	φ3×3000mm
绝缘电阻 (Insulation Resistance)	≥2000MΩ/100V DC	电气连接 (Electrical connection)	红/E+, 黑/E-, 绿/S+, 白/S-
材质 (Material Quality)	不锈钢	其它要求 (Other requirements)	可定制

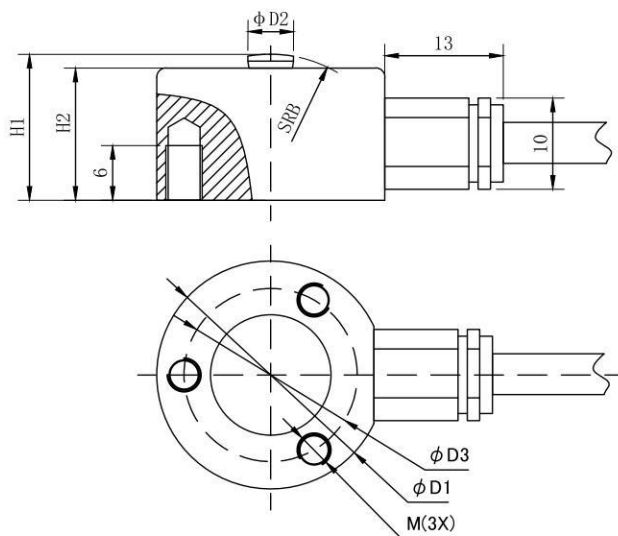
## 型号: T6004

## 特点 Characteristics

- 采用优质的不锈钢打造, 体积小, 精度高, 结构稳固。方便安装在狭小的空间内, 广泛应用于自动化装备等领域测力。
- Made of high-quality stainless steel, small size, high precision, stable structure. It is convenient to be installed in narrow space and widely used in automatic equipment and other fields.

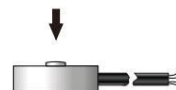


## 安装尺寸 Mounting dimensions

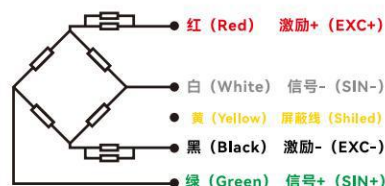


量程	D1	D2	D3	H1	H2	B	M	材料	重量
5/10/20/30/50 kg	25	5	19	16	14.5	10	M4	不锈钢	0.1kg
0.1/0.2/0.3/0.5/1 T	32	8	25.4	16	14	16	M5		0.1kg
2/3/5 T	38	11	30	16	14	20	M6		0.2kg
6/10/12 T	51	15	41	25	22	30	M8		0.4kg

## ■ 受力方式/Force mode



## ■ 接线方法/Wiring method



## 技术参数 Technical parameter

量程 (Measuring range)	5/10/20/30/50 kg, 0.1/0.2/0.3/0.5/1/2/3/5/6/10/12 T		
综合误差 (Composite Error)	±0.1%F.S.	灵敏度温度影响 (Sensitivity temperature effect)	±0.1%F.S/10°C
灵敏度 (Sensitivity)	1.5±10% mV/V	零点温度影响 (Zero temperature effect)	±0.1%F.S/10°C
零点输出 (Zero output)	±2.0%F.S	温度补偿范围 (Temperature compensation range)	-10~60°C
非线性 (Non-linear)	0.1%F.S.	使用温度范围 (Operating temperature range)	-20~80°C
滞后 (Lag Behind)	0.1%F.S.	激励电压 (Excitation voltage)	9~12V
重复性 (Repeatability)	0.1%F.S.	安全过载范围 (SAFE overload range)	120%F.S
蠕变 (Creep)	±0.5%F.S/30min	极限过载范围 (Limit Overload Range)	150%F.S
输入阻抗 (Input impedance)	385±10Ω	响应频率 (Response Frequency)	100μS
输出阻抗 (Output impedance)	350±5Ω	电缆线尺寸 (Cable size)	φ3/φ5×3000mm
绝缘电阻 (Insulation Resistance)	≥5000MΩ/100V DC	电气连接 (Electrical connection)	红/E+, 黑/E-, 绿/S+, 白/S-
材质 (Material Quality)	不锈钢	其它要求 (Other requirements)	可定制

# 型号: T6009

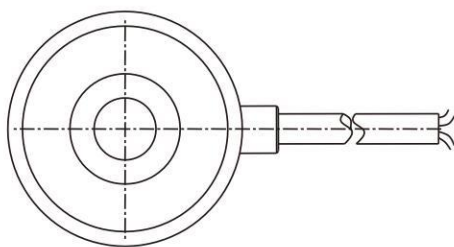
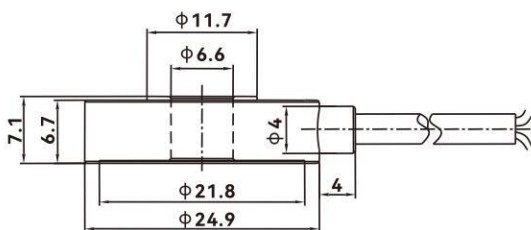
## 特点 Characteristics



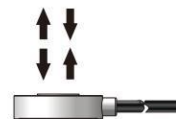
- 高度低,, 变形量小, 外形尺寸小, 环形设计, 不锈钢材质. 动态响应频率高. 适用于汽,压装, 自动化组装, 3 C 产品测试, 新能源产品组装, 医疗检测, 机器人领域。
- Low Height, small deformation, small size, ring design, stainless steel material. High Dynamic Response Frequency. Suitable for automobile, Press Assembly, Automatic Assembly, 3C product test, New Energy Product Assembly, medical test, robot field.

可定做: 高温

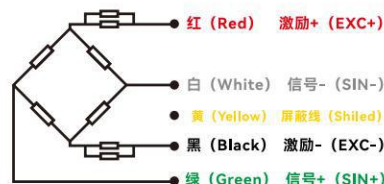
## 安装尺寸 Mounting dimensions



### ■ 受力方式/Force mode



### ■ 接线方法/Wiring method



## 技术参数 Technical parameter

量程 (Measuring range)	5/10/20/50/100 kg		
综合误差 (Composite Error)	±0.5%F.S.	灵敏度温度影响 (Sensitivity temperature effect)	±0.05%F.S/10°C
灵敏度 (Sensitivity)	1.5±20% $mV/V$	零点温度影响 (Zero temperature effect)	±0.05%F.S/10°C
零点输出 (Zero output)	±2.0%F.S	温度补偿范围 (Temperature compensation range)	-10~60°C
非线性 (Non-linear)	0.5%F.S.	使用温度范围 (Operating temperature range)	-20~80°C
滞后 (Lag Behind)	0.5%F.S.	激励电压 (Excitation voltage)	5~12V
重复性 (Repeatability)	0.5%F.S.	安全过载范围 (SAFE overload range)	150%F.S
蠕变 (Creep)	±0.5%F.S/30min	极限过载范围 (Limit Overload Range)	200%F.S
输入阻抗 (Input impedance)	700±20Ω	响应频率 (Response Frequency)	100μS
输出阻抗 (Output impedance)	700±10Ω	电缆线尺寸 (Cable size)	φ3×3000mm
绝缘电阻 (Insulation Resistance)	≥5000MΩ/100V DC	电气连接 (Electrical connection)	红/E+, 黑/E-, 绿/S+, 白/S-
材质 (Material Quality)	不锈钢	其它要求 (Other requirements)	可定制

## 型号: T7000

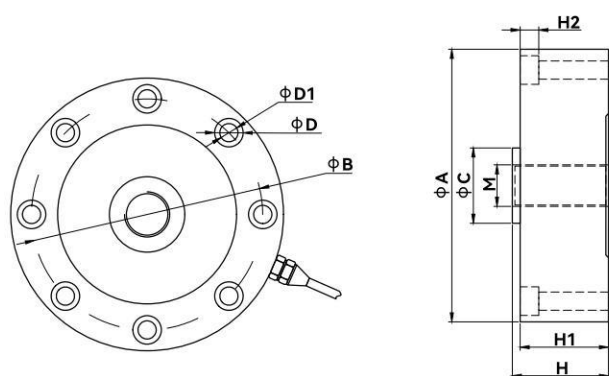


## 特点 Characteristics

- 采用传感器专用合金钢材料制造，胶密封处理，表面阳极氧化，适用于多种工况，结构简单，安装方便。适用于实验机，油压机，冷热压机，电子吊钩称，料斗称等。
- It is made of sensor special alloy steel, sealed with adhesive and anodized on the surface. It is suitable for various working conditions, simple in structure and convenient in installation. It is suitable for testing machine, hydraulic press, cold and hot press, electronic hook scale, Hopper scale, etc..

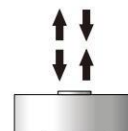
可定做:  高温

## 安装尺寸 Mounting dimensions

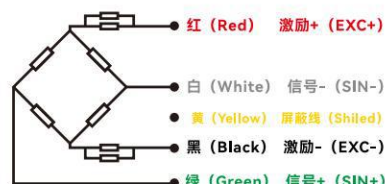


量程	ΦA	ΦB	ΦC	M	H	H1	H2	ΦD	ΦD1
20-1000kg	74	63	24	M16*1.5	34	30	7.2	8-Φ9	8-Φ6
1-5T	105	89	32	M16*1.5	37	34	7.2	8-Φ11	8-Φ7
10-20T	120.6	101.8	39	M32*1.5	53.5	41	10.5	8-Φ14	8-Φ9
30T	141	116.8	50.4	M40*1.5	57.2	50.8	11	8-Φ18	8-Φ11

## ■ 受力方式/Force mode



## ■ 接线方法/Wiring method



## 技术参数 Technical parameter

量程 (Measuring range)	20/50/100/200/500/1000 kg, 1/2/3/5/10/20/30 T		
综合误差 (Composite Error)	±0.1%F.S.	灵敏度温度影响 (Sensitivity temperature effect)	±0.025%F.S/10°C
灵敏度 (Sensitivity)	2.0±10% $mV/V$	零点温度影响 (Zero temperature effect)	±0.025%F.S/10°C
零点输出 (Zero output)	±2.0%F.S	温度补偿范围 (Temperature compensation range)	-20~60°C
非线性 (Non-linear)	0.05%	使用温度范围 (Operating temperature range)	-20~60°C
滞后 (Lag Behind)	0.1%F.S.	激励电压 (Excitation voltage)	5~15V
重复性 (Repeatability)	0.1%F.S.	安全过载范围 (SAFE overload range)	120%F.S
蠕变 (Creep)	±0.03%F.S/30min	极限过载范围 (Limit Overload Range)	150%F.S
输入阻抗 (Input impedance)	700±10Ω	响应频率 (Response Frequency)	100μS
输出阻抗 (Output impedance)	700±5Ω	电缆线尺寸 (Cable size)	φ6×3000mm
绝缘电阻 (Insulation Resistance)	≥5000MΩ/100V DC	电气连接 (Electrical connection)	红/E+, 黑/E-, 绿/S+, 白/S-
材质 (Material Quality)	不锈钢	其它要求 (Other requirements)	可定制

## 型号: T7001

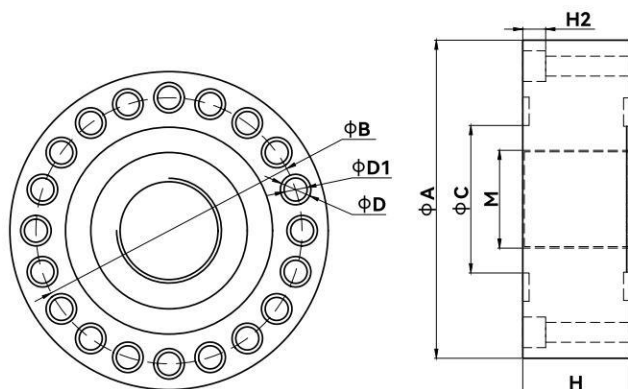


## 特点 Characteristics

- 大量程传感器，采用传感器专用合金钢材制造，胶密封处理，表面阳极氧化，适用于多种工况，结构简单，安装方便。适用于试验机，压装机，油压机，冷热压机，电子吊钩称，料斗称等。
- Large range sensor, made of sensor special alloy steel, adhesive seal treatment, surface anodizing, suitable for a variety of working conditions, simple structure, easy installation. Suitable for testing machine, pressing machine, hydraulic press, hot and cold press, electronic hook scale, Hopper scale, etc..

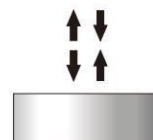
可定做:  高温

## 安装尺寸 Mounting dimensions

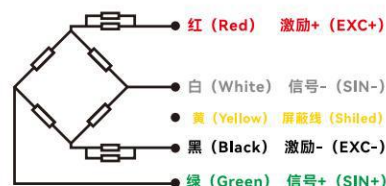


量程	$\phi A$	$\phi B$	$\phi C$	M	H	H2	$\phi D$	$\phi D1$
40-80T	208	174	95	M64*3	70	15	16- $\phi 20$	16- $\phi 13$
100-250T	280	230	136	M76*3	90	20	16- $\phi 30$	16- $\phi 17$
300-500T	360	300	190	M100*3	110	20	20- $\phi 40$	20- $\phi 25$

## ■ 受力方式/Force mode



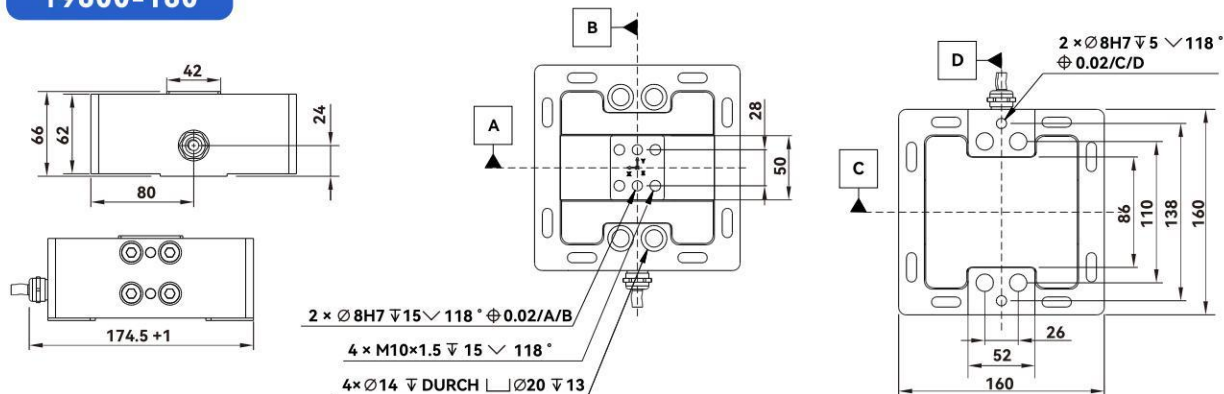
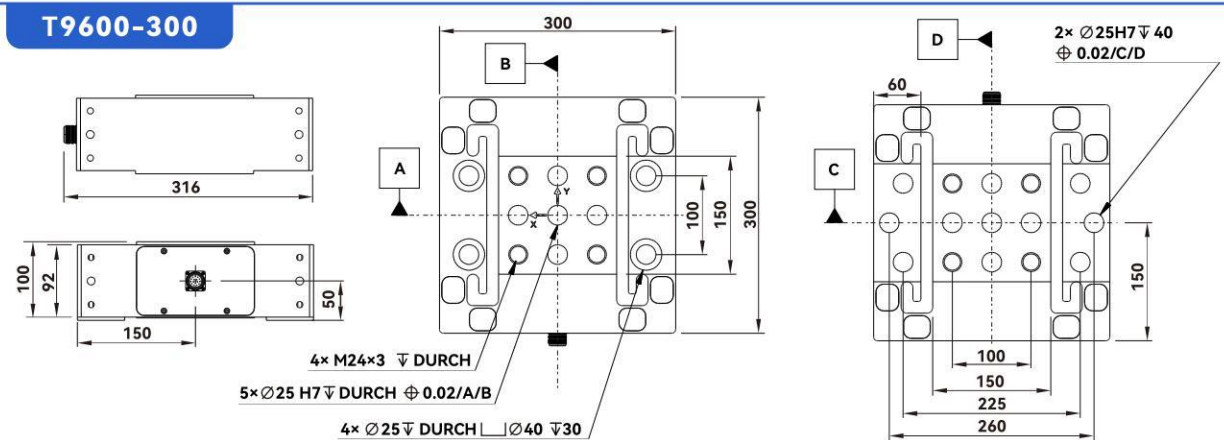
## ■ 接线方法/Wiring method



## 技术参数 Technical parameter

量程 (Measuring range)	50/100/200/300/400/450/500 T		
综合误差 (Composite Error)	$\pm 0.1\%F.S.$	灵敏度温度影响 (Sensitivity temperature effect)	$\pm 0.025\%F.S./10^{\circ}C$
灵敏度 (Sensitivity)	$2.0 \pm 0.5\%mV/V$	零点温度影响 (Zero temperature effect)	$\pm 0.025\%F.S./10^{\circ}C$
零点输出 (Zero output)	$\pm 2.0\%F.S.$	温度补偿范围 (Temperature compensation range)	$-20 \sim 60^{\circ}C$
非线性 (Non-linear)	$0.1\%F.S.$	使用温度范围 (Operating temperature range)	$-20 \sim 60^{\circ}C$
滞后 (Lag Behind)	$0.1\%F.S.$	激励电压 (Excitation voltage)	5~15V
重复性 (Repeatability)	$0.1\%F.S.$	安全过载范围 (SAFE overload range)	120%F.S
蠕变 (Creep)	$\pm 0.03\%F.S./30min$	极限过载范围 (Limit Overload Range)	150%F.S
输入阻抗 (Input impedance)	$700 \pm 10\Omega$	响应频率 (Response Frequency)	100 $\mu$ S
输出阻抗 (Output impedance)	$700 \pm 5\Omega$	电缆线尺寸 (Cable size)	$\phi 6 \times 3000mm$
绝缘电阻 (Insulation Resistance)	$\geq 5000M\Omega/100V DC$	电气连接 (Electrical connection)	红/E+, 黑/E-, 绿/S+, 白/S-
材质 (Material Quality)	不锈钢	其它要求 (Other requirements)	可定制



**T9600-160**

**T9600-300**

**技术参数**
**Technical parameter**

型号	量程: (X/Y/Z轴相同)	外形尺寸	电缆线尺寸	材料
T9600-40	$\pm 10/20/50/100 \text{ kg}$	40×40×20	$\text{Ø}3 \times 3000\text{mm}$	不锈钢
T9600-40A	$\pm 0.2/0.5/1/2/5/10 \text{ kg}$		$\text{Ø}3 \times 3000\text{mm}$	铝合金
T9600-60	$\pm 20/50/100/200 \text{ kg}$	60×60×25	$\text{Ø}3 \times 3000\text{mm}$	不锈钢
T9600-60A	$\pm 5/10/20 \text{ kg}$		$\text{Ø}3 \times 3000\text{mm}$	铝合金
T9600-120	$\pm 20/50/100/200/500 \text{ kg}$	120×120×30	$\text{Ø}5 \times 3000\text{mm}$	不锈钢或合金钢
T9600-160	$\pm 0.2/0.5/1/2/5 \text{ T}$	160×160×66	$\text{Ø}5 \times 3000\text{mm}$	不锈钢或合金钢
T9600-300	$\pm 5/10/20 \text{ T}$	300×300×100	$\text{Ø}5 \times 3000\text{mm}$	不锈钢或合金钢
综合误差 (Composite Error)	$\pm 1.0\% \text{F.S.}$	灵敏度温度影响 (Sensitivity temperature effect)	0.1%F.S	
灵敏度 (Sensitivity)	0.5~2.0mv/V	零点温度影响 (Zero temperature effect)	0.1%F.S	
零点输出 (Zero output)	$\pm 2.0\% \text{F.S.}$	温度补偿范围 (Temperature compensation range)	-10~40°C	
非线性 (Non-linear)	0.2%F.S (耦合)	使用温度范围 (Operating temperature range)	-20~70°C	
滞后 (Lag Behind)	0.2%F.S	激励电压 (Excitation voltage)	5~12V	
重复性 (Repeatability)	0.2%F.S	安全过载范围 (SAFE overload range)	120%F.S	
蠕变 (Creep)	$\pm 0.05\% \text{F.S./30min}$	极限过载范围 (Limit Overload Range)	150%F.S	
输入阻抗 (Input impedance)	750/385±5Ω	响应频率 (Response Frequency)	100μS	
输出阻抗 (Output impedance)	700/350±3Ω	电气连接 (Electrical connection)	红/E+, 黑/E-, 绿/S+, 白/S-	
绝缘电阻 (Insulation Resistance)	$\geq 5000 \text{M}\Omega/100\text{V DC}$	其它要求 (Other requirements)	可定制	

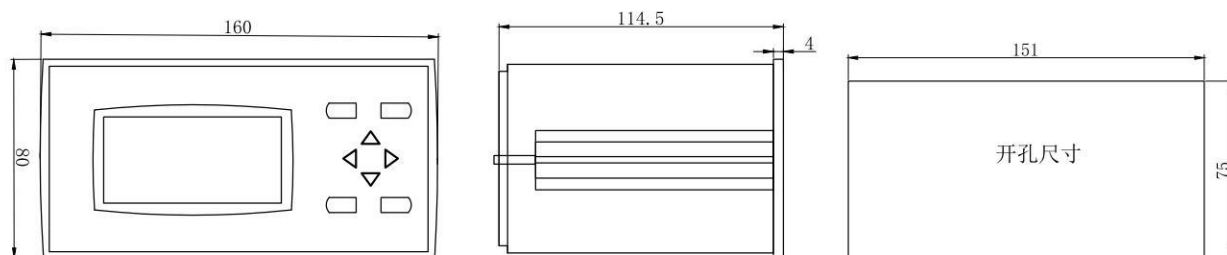
## 型号: YG1002



## 特点 Characteristics

- 本产品配接脉冲输出转速传感器和脉冲扭矩传感器，对扭矩、转速快速测量，计算功率，具有正向和反向最大值记录。支持2路变送输出，可选配通讯接口。是一款功能齐全、操作方便、精确可靠、高性价比的产品。
- This product is equipped with pulse output speed sensor and pulse torque sensor, the Torque, speed, fast measurement, calculation of power, with forward and reverse maximum records. Support 2-way variable output, optional communication interface. Is A full-featured, easy to operate, accurate and reliable, cost-effective products.

## 安装尺寸 Mounting dimensions



## 技术参数 Technical parameter

尺寸 (Dimensions)	外形尺寸160X80X114.5mm 开孔尺寸152X75mm
仪表电源 (Instrument power)	AC电源: 100-240VAC 50/60HZ AC/DC电源:10-24VAC 50/60HZ; 10-24VDC
显示范围 (Display Range)	扭矩测量: -19999~99999Nm五位显示, 汉字显示, 小数点位置可设定
工作环境 (Working Environment)	工作温度范围-0°C~50°C, 避免阳光直射;工作湿度范围10~90%RH无凝露。
输入信号 (Input Signal)	4路输入通道可选, 所有通道均为万能输入, 可通过参数选择热电偶、热电阻、直流电流或直流电压信号
测量速度 (Measuring speed)	0.2级精度, 测控速度为每通道0.1秒
功能 (Function)	记录各通道的历史数据(曲线), 并可查询, 停电信息记录及查询自动屏保可选配USB接口, 实现记录数据转储
外供电源 (External power supply)	12V±5%或24V±5%
变送输出 (Variable output)	选配4点继电器输出, 可选配2路变送输出, 可针对各测量值
通讯(选件) (External power supply)	RS232 或 RS485二者选其一, 打印功能
注 (Note)	可根据用户要求定做, 适应专用行业需求

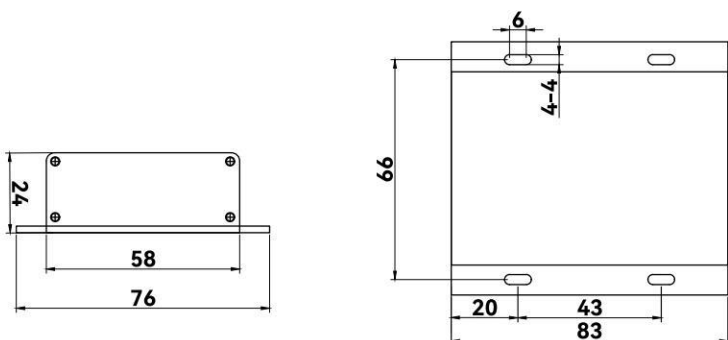
## 型号: YG201



### 特点 Characteristics

- YG201变送器在同价位的产品中，速度更快，可达 1280次/秒。RS232接口；支持Modbus RTU协议和自由协议。RS485接口；最多并列32个节点；支持Modbus RTU协议和自由协议。
- YG201 transmitter in the same price products, faster, up to 1280 times/second. RS232 interface; support Modbus RTU protocol and free, protocol. RS485 interface; up to 32 nodes in parallel; supports Modbus RTU protocol and free protocol.

### 安装尺寸 Mounting dimensions



选型参考图

YG201	RS485
YG201-C2	
YG201-A1	RS485+模拟量
YG201-C2-A1-B	RS485+模拟量+开关量
YG201-C2-W	RS485+以太网
YG201-C1	RS232
YG201-C1-A1	RS232+模拟量
YG201-C1-A1-B	RS232+模拟量+开关量

### 技术参数 Technical parameter

供电电压 (Supply Voltage)	DC:10V~30V	A/D分辨率 (A/D Resolution)	24位, Delta-Sigma方法
功耗 (Power consumption)	< 3W	开关量输出 (Switching output)	/
输入灵敏度 (Input sensitivity)	0.4~6mV/V	采样频率 (SAMPLING RATE)	10, 40, 640,1280 次/秒
激励电压 (Excitation voltage)	5VDC±2%	工作温度 (Operating temperature)	-30~60°C
综合精度 (Synthetic accuracy)	1/10000	驱动能力 (Driving capacity)	100mA (最多6只350Ω传感器)
通讯协议 (Communication Protocol)	Modbus RTU协议和自由协议	外形尺寸 (Contour dimension)	(见上述尺寸图)
波特率 (Baud rate)	1200, 2400, 4800, 9600, 19200, 38400, 57600, 115200	显示精度 (Display accuracy)	1/10000
材质 (Material Quality)	铝合金	防护等级 (Protection level)	Ip65
额定输出 (Rated output)	0±10V, 4~20mA, 0~20mA, RS232接口;支持 Modbus RTU协议和自由协议。 RS485接口;最多并列32个节点;支持Modbus RTU协议和自由协议		

# 型号: YG2001



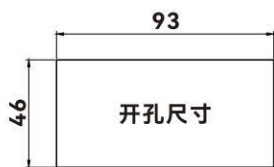
## 特点 Characteristics

- 模拟输出信号可选择0-20mA、4-20mA、0-10V、1-5V，数字通讯接口可选择RS485或RS232，均带隔离。双排6位LED数码管分别显示实时测量值、峰值、输出电流值、I/O状态信。
- Analog output signal can choose 0-20mA, 4-20mA, 0-10V, 1-5V, digital communication interface can choose RS485 or RS232, all band isolation. The double-row 6-bit LED digital tube displays real-time measurement value, peak value, output current value and I/O status signal respectively.

## 安装尺寸 Mounting dimensions

选型参考图

YG2001-JDQ-000	继电器、数字量
YG2001-JDQ-AI4	继电器、数字量、电流
YG2001-JDQ-AVO	继电器、数字量、电压
YG2001-JTG-000	晶体管、数字量
YG2001-JTG-AI4	晶体管、数字量、电流
YG2001-JTG-AVO	晶体管、数字量、电压



## 技术参数 Technical parameter

供电电压 (Supply Voltage)	DC24V (±5V)	A/D分辨率 (A/D Resolution)	1600次/秒
功耗 (Power consumption)	10W	开关量输出 (Switching output)	晶体管:6路;继电器:6路
输入灵敏度 (Input sensitivity)	-3.6 mV/V ~ 3.6 mV/V	采样频率 (SAMPLING RATE)	10,40,640,1280次/秒
激励电压 (Excitation voltage)	DC5V	工作温度 (Operating temperature)	-30~50℃
综合精度 (Synthetic accuracy)	≤±0.002%FS	驱动能力 (Driving capacity)	可并联8只350Ω传感器
通讯协议 (Communication Protocol)	Modbus RTU协议和自由协议	外形尺寸 (Contour dimension)	(见上述尺寸图)
波特率 (Baud rate)	1200, 2400, 4800, 9600, 19200, 38400, 57600, 115200	显示精度 (Display accuracy)	1/100000
材质 (Material Quality)	铝合金	防护等级 (Protection level)	Ip64
显示窗口 (Display Window)	双排6位LED显示		
额定输出 (Rated output)	模拟信号: 0-20mA、4-20mA、0-10V、1-5V, 数字通讯: RS485或RS232,均带隔离。		

## 型号: YG2003



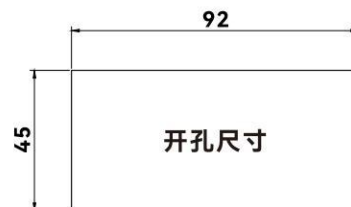
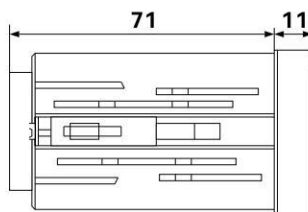
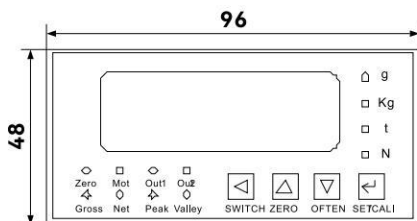
### 特点 Characteristics

- 速度更快, 可达1280次/秒。可在基本款基础上选择添加以下功能: 1.带TEDS; 2.带模拟量输出0~20mA、4~20mA、0~±10V; 3.带通信, 可操作协议里面的所有功能。
- Faster, up to 1,280 times per second. You can choose to add the following features to the basic section: 1. With Teds; 2. With analog output 0 ~ 20mA, 4 ~ 20mA, 0 ~ ± 10v; 3. Band communication, operable protocol inside all functions.

### 安装尺寸 Mounting dimensions

选型参考图

YG2003-T	晶体管
YG2003-T-A001	晶体管+模拟量
YG2003-T-CM01	晶体管+RS232
YG2003-T-CM02	晶体管+RS485
YG2003-R	继电器
YG2003-R-A001	继电器+模拟量
YG2003-R-CM01	继电器+RS232
YG2003-R-CM02	继电器+RS485



### 技术参数 Technical parameter

供电电压 (Supply Voltage)	DC: 9V~30V	A/D分辨率 (A/D Resolution)	24位, Delta-Sigma方法
功耗 (Power consumption)	< 5W	开关量输出 (Switching output)	晶体管: 3路; 继电器: 2路
输入灵敏度 (Input sensitivity)	0.4~6mV/V	采样频率 (SAMPLING RATE)	10、40、640次/秒
激励电压 (Excitation voltage)	默认5VDC (或12VDC可选)	工作温度 (Operating temperature)	-30~60℃
综合精度 (Synthetic accuracy)	≤±0.05%FS	驱动能力 (Driving capacity)	最多6只350Ω的传感器
通讯协议 (Communication Protocol)	/	外形尺寸 (Contour dimension)	(见上述尺寸图)
波特率 (Baud rate)	1200, 2400, 4800, 9600, 19200, 38400, 57600, 115200	显示精度 (Display accuracy)	1/10000
材质 (Material Quality)	塑料	防护等级 (Protection level)	Ip65
显示窗口 (Display Window)	单排五位LED高亮显示 (0.56寸)		
额定输出 (Rated output)	0~±10V、0~20mA、4~20mA; 分辨率1/3000, RS232接口: 支持Modbus RTU协议和自由协议, RS485接口, 最多并列32个节点: 支持Modbus RTU协议和自由协议。		

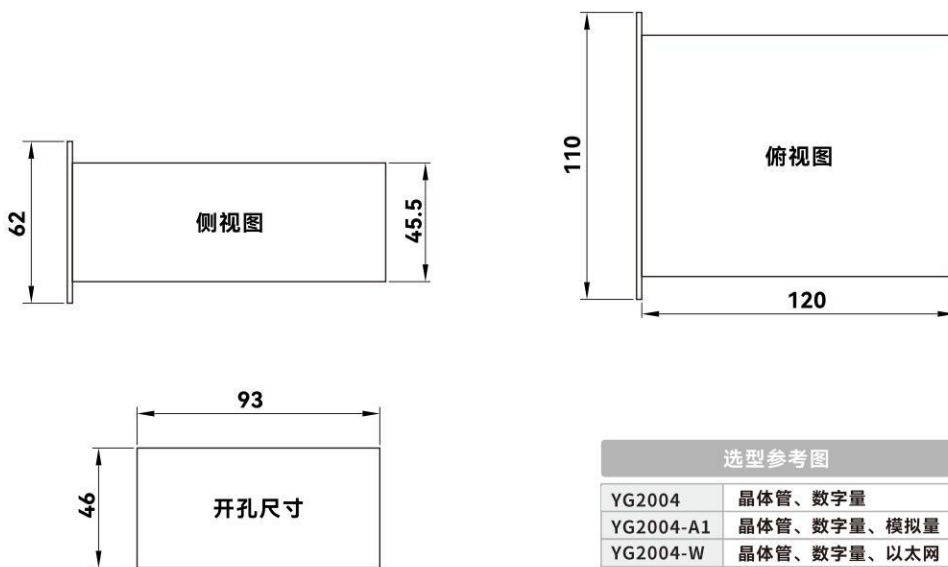
## 型号: YG2004



## 特点 Characteristics

- 本控制器体积小，精度高，速度快，适用于各类需要进行称重测力的工业现场。拥有三/四个传感器输入口，适用于三维测力等场合。
- The controller has the advantages of small volume, high precision and high speed, and is suitable for various industrial fields which need to be weighed and force-measured. With three or four sensor inputs, suitable for three-dimensional force measurement and other occasions.

## 安装尺寸 Mounting dimensions



选型参考图

YG2004	晶体管、数字量
YG2004-A1	晶体管、数字量、模拟量
YG2004-W	晶体管、数字量、以太网

## 技术参数 Technical parameter

显示窗口 (Show the window)	4路6位LED显示	传感器类型 (Sensor type)	3路或4路电阻应变式传感器
分度值 (The graduation value)	1、2、5、10、20、50	开关量输出 (Switch quantity output)	3路晶体管输出容量: DC24V 0.5A
最大秤量 (Maximum weight)	999999	湿度范围 (Humidity range)	≤90%相对湿度(无凝结水)
小数点位数 (The number of decimal places)	0、0.0、0.00、0.000、0.0000、0.00000	工作温度 (Operating temperature)	-10~50℃
信号输入范围 (Signal input range)	-30 mV~+30 mV (-6mV/V~+6mV/V)	电源范围 (Power Range)	DC24V (±5V)
模拟量 (Analog quantities)	最多支持4路模拟量同时输出	静态准确度 (Static accuracy)	分辨率900000
通讯接口 (Communication interface)	RS-485与RS-232, 标准Modbus RTU协议支持、选配网口	A/D 转换 (A/D conversion)	≤3200次/秒
零点漂移 (Zero Drift)	≤0.05μV (@ 0.02mV/V)	输入阻抗 (Input impedance)	≥20MΩ
量程温度系数 (Range temperature coefficient)	≤10ppm/℃	零点漂移 (Zero Drift)	≤10μV/℃
非线性误差 (Nonlinear error)	≤0.002%FS	输入电压 (Input Voltage)	DC24V
量程温度系数 (Range temperature coefficient)	≤0.02%FS/℃	输入电流 (Input Current)	4~6mA
传感器电压 (Sensor voltage)	DC5V, 可并联4只 350Ω传感器	产品功率 (Product power)	≤10W